

SPECIFICATIONS

FLUID : air or neutral gas, filtered, lubricated or not
 PORTS : G 1/4
 PRESSURE : 0 to 10 bar
 TEMPERATURE : -25°C to + 60°C
 FLOW (Qv at 6 bar) : 860 l/min (ANR)

CONSTRUCTION

Spool valve
 Body: treated aluminium
 Internal parts: zinc diecasting, steel, stainless steel, acetal (POM)
 Sealings: nitrile (NBR) and polyurethane (PUR)



1 = Pressure
 2,4 = Outlets
 3,5 = Exhausts

CHOICE OF EQUIPMENT

Type	Pilot	Return	Operating effort (daN)	CODES
3/2	Roller	Spring	4,8	55102084
5/2	Roller	Spring	4,8	55102087



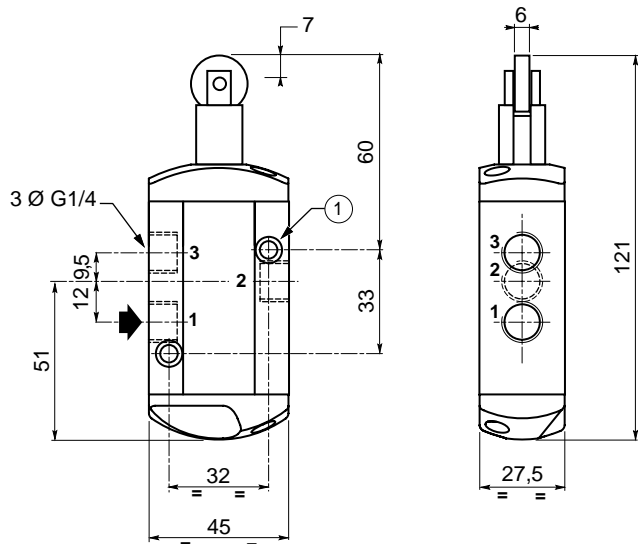
Series 551 3/2-5/2

DIMENSIONS AND WEIGHTS

ROLLER

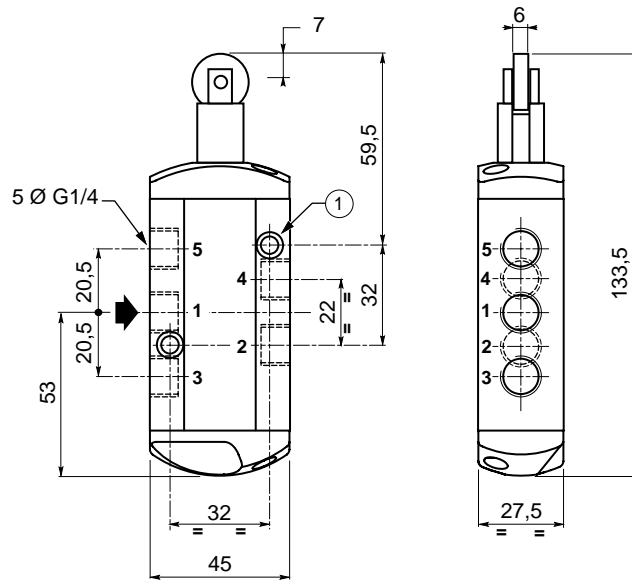
3/2

Weight: 0,250 kg



5/2

Weight: 0,285 kg



① 2 fixing holes: Ø 5,3 - counterbore : Ø 9, dept 5

Cam angles

Maximum speed: 0,3 m/s

