

SPECIFICATIONS

FLUID	: Air or neutral gas, filtered, lubricated
PRESSURE	: 0 to 10 bar
TEMPERATURE	: - 10°C to + 60°C
FUNCTIONS	: 3/2 - 5/2
PORTS	: G 1/8
FLOW (Qv at 6 bar)	: 200 l/min (ANR)

CONSTRUCTION

Body anodized light alloy
Covers light alloy and acetel
Internal parts light alloy
Sealing nitrile (NBR)
Lever and tappet steel
The 3/2 spool valve can be used as a 3/2 NC or 3/2 NO version, by connecting as indicated opposite



Ports of 3/2	
NC 1 = Pressure 2 = Outlet 3 = Exhaust	NO Exhaust Outlet Pressure
Ports of 5/2	
1 = Pressure 2,4 = Outlets 3,5 = Exhausts	

CHOICE OF EQUIPMENT

	Symbols Functions	Operators		Operating effort (daN)	CODES
		Pilot	Return		
3/2		Roller-lever	Spring	2	55000046
		Tappet	Spring	3	55000047
5/2		Roller-lever	Spring	2	55000012
		Tappet	Spring	3	55000052

OPTION

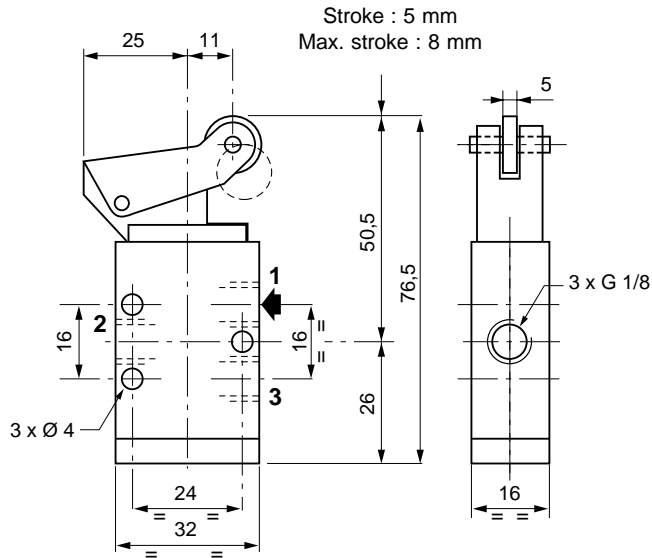
Mini spool valve with one way trip (consult us).

DIMENSIONS AND WEIGHTS

3/2

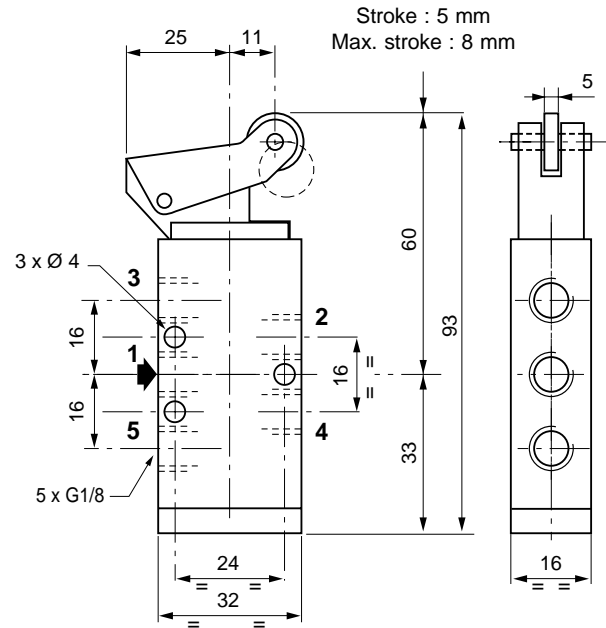
ROLLER-LEVER

Weight : 77 g



5/2

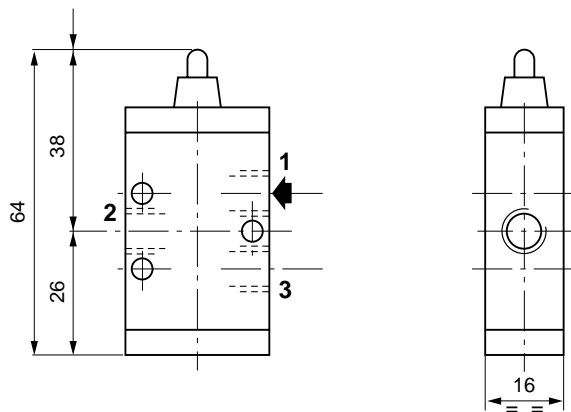
Weight : 86 g



TAPPET

Weight : 60 g

Stroke : 3 mm
Max. stroke : 5,5 mm



Weight : 76 g

Stroke : 3 mm
Max. stroke : 5,5 mm

