

SPECIFICATIONS

FLUID	: Air or neutral gas, filtered, lubricated
PRESSURE	: 0 to 10 bar
TEMPERATURE	: - 10 °C to + 60 °C
FUNCTIONS	: 3/2 - 5/2
PORTS	: G 1/8
FLOW (Qv at 6 bar)	: 200 l/min (ANR)

CONSTRUCTION

Body anodized light alloy
Covers light alloy and acetal
Internal parts light alloy
Sealing nitrile (NBR)
Button synthetic resin
Possible mounting panel (percing Ø 16,5)
The 3/2 spool valve can be used as a 3/2 NC or 3/2 NO version,
by connecting as indicated opposite



Ports of 3/2	
NC	NO
1 = Pressure	Exhaust
2 = Outlet	Outlet
3 = Exhaust	Pressure
Ports of 5/2	
1 = Pressure	
2,4 = Outlets	
3,5 = Exhausts	

CHOICE OF EQUIPMENT

	Symbols Functions	Operators		CODES
		Pilot	Return	
3/2		Push button	Spring	55000040
		Push-pull button		55000039
		Lever - lever detented		55000043
5/2		Push button	Spring	55000009
		Push-pull button		55000010
		Lever - lever detented		55000011

G

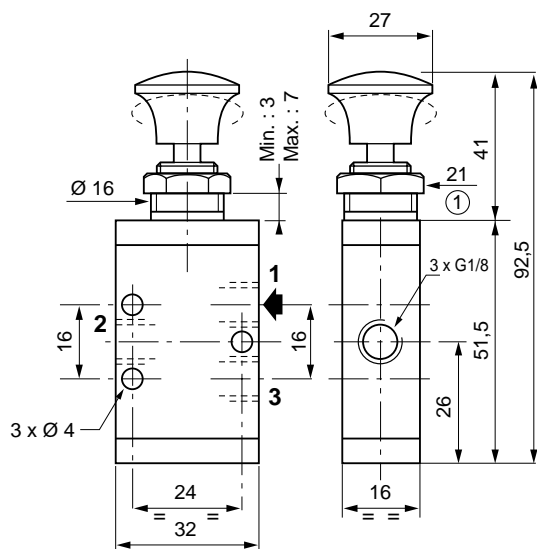
Series 550

DIMENSIONS AND WEIGHTS

3/2

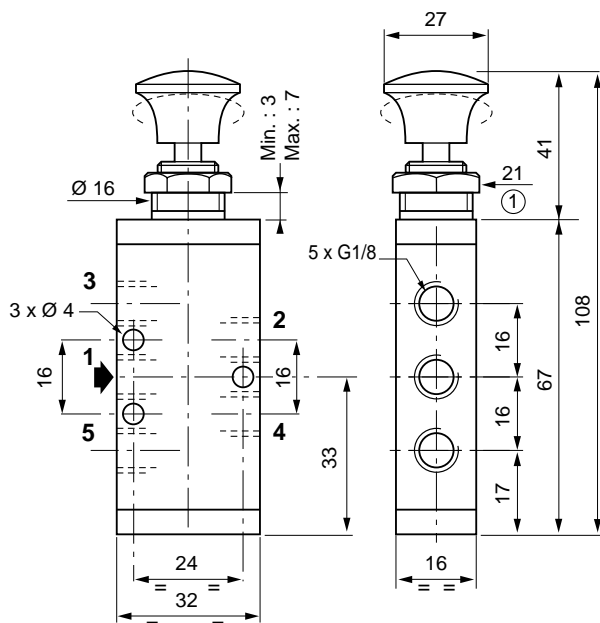
PUSH BUTTON / SPRING RETURN
PUSH-PULL BUTTON

Weight : 74 g



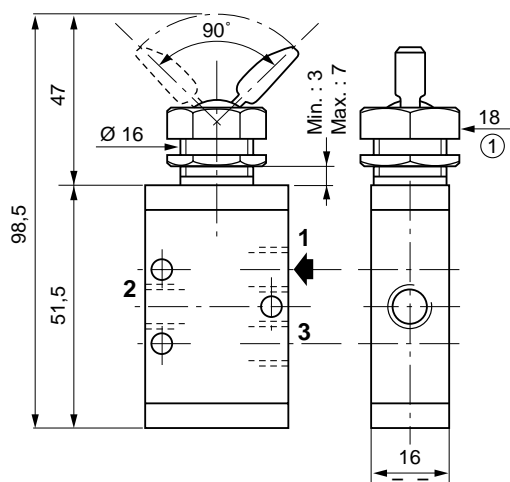
5/2

Weight : 94 g

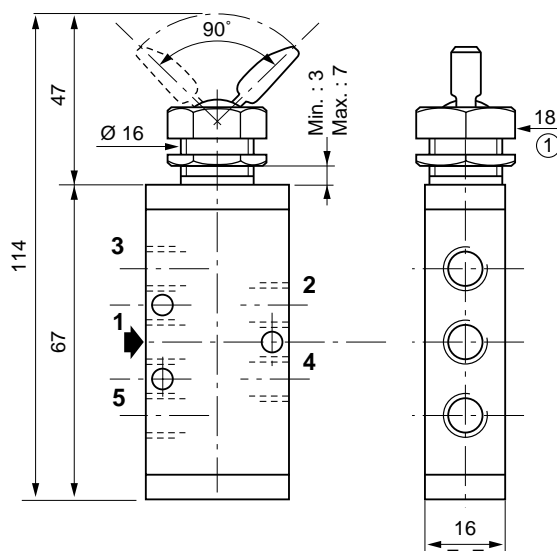


LEVER - LEVER DETENTED

Weight : 76 g



Weight : 92 g



① Dimensions on flats