

**GENERAL**

FLUID : Air or neutral gas, filtered lubricated or not  
 PORTS : subbase G 1/8 or flexible tube Ø 6 mm OD  
 PRESSURE : 4 to 10 bar (1)  
 PILOT PRESSURE : see table  
 TEMPERATURE : - 10°C to + 40°C  
 FLOW (Qv at 6 bar) : 280 l/min (ANR) - (KV : 4)

**CONSTRUCTION**

Body and end covers zinc diecasting  
 Sealing nitrile (NBR)  
 Internal parts : acetal, light alloy, zinc diecasting.



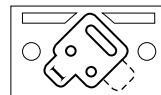
**ELECTRICAL CHARACTERISTICS**

Type of sol. valve		Voltages	Consumption		Insulation class	Protection degree	Electrical connection
			Inrush	Hold			
Series 189	~	24V - 48V - 115V - 230V / 50 Hz	6VA	3,5VA(2,5W)	F	IP 65	spade plug size 22 connector, DIN 43650, 11 mm, industry standard B, rotatable by 180°
	=	24V - 48V	2,5W				

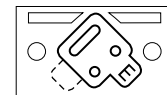
**SPECIFICATIONS**

Symbols	Operators		Pipe size	Orifice size (mm)	Response time (m/s)		Pilot pressure (bar)		2 catalogue numbers		Manual operator Maintained
	Pilot (14)	Return (12)			ON	OFF	min.	max.	VALVE	+ SOLENOID PILOT	
	Solenoid air	Spring	G1/8	4	20	50	2,5	10	54090001	+ 1 x 18900001	●
	Solenoid air	Differential	G1/8	4	25	40	4	10	54090002	+ 1 x 18900001	●
	Solenoid air	Air	G1/8	4	15	-	2	10	54090003	+ 1 x 18900001	●
	Solenoid air	Solenoid differential	G1/8	4	15	-	4	10	54090004	+ 2 x 18900001	●
	Solenoid air	Solenoid air	G1/8	4	15	-	2	10	54090005	+ 2 x 18900001	●

The valve is fitted with pilot seal which mean that the valve can be adapted to :  
 Internal supply (mark **I**) or external supply (mark **E**).  
 The valves are always delivered in the internal supply position (seals in position **I**).  
 (1) External supply enables these valves to be used with fluid pressures 0 to 12 bar.



Internal supply (I)



External supply (E)

**SUBBASES**

DESCRIPTION	PORTS			catalogue number
	Subbase	Type	Pipe size	
Single subbase *	Subbase	Side ports	G 1/8	35500049
	Subbase	Side ports with rotatable fittings	For flexible tube ø 6 mm OD	35900022
Joinable subbases ** with bottom ports	Subbase	Bottom ports - ports 2-4-12-14 (ports 1-3-5 : side ports G 1/4)	G 1/8	35500052
	End Subbase	Bottom ports	G 1/8	35500051
Joinable subbases ** with side ports	Subbase	Side ports (ports 1-3-5 : G 1/4)	G 1/8	35500106
	End Subbase	Side ports	G 1/8	35500107
	Mounting set of 2 plates for joinable subbases with side ports			88135505

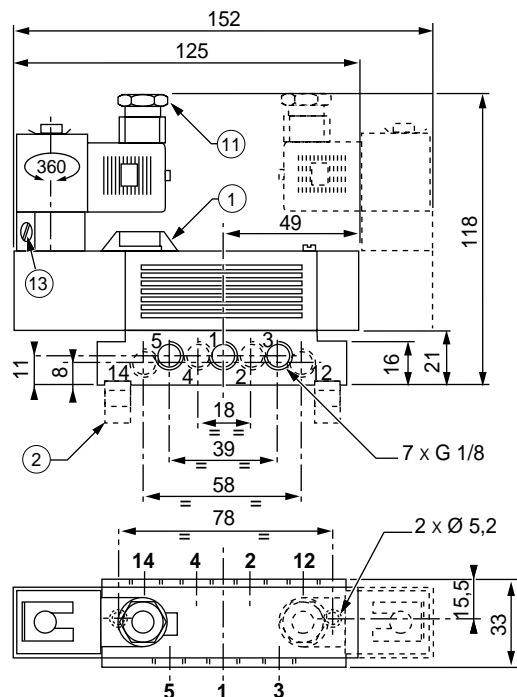
\* Subbase can be mounted on EN 50022 - rail using 2 clips (10 clips cat no. **33400043**).  
 \*\* An assembly of "n" valves on a manifold requires "n-1" joinable subbase plug one **end** (blanking function).

# DIMENSIONS AND WEIGHTS - Series 540 Ø 4 mm

## VALVE ON SINGLE SUBBASE G 1/8

Subbase : cat no. **35500049**

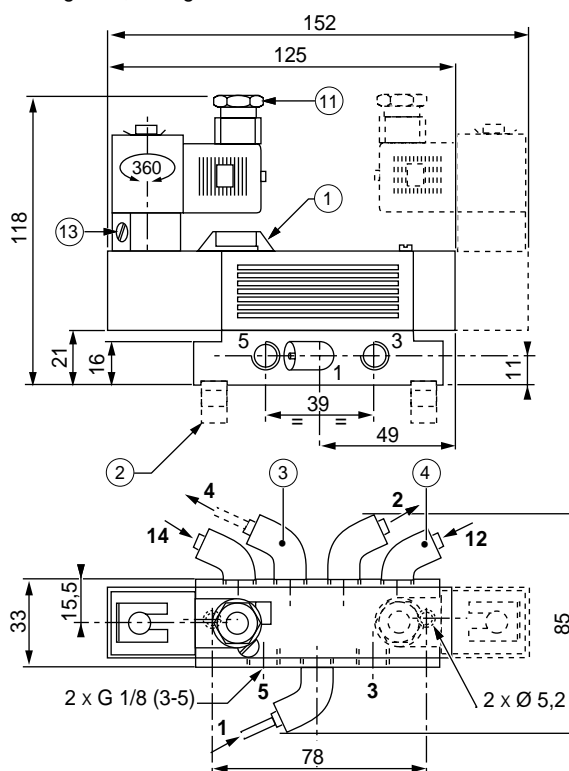
Weight : 0,700 kg



## VALVE ON A SINGLE SUBBASE FOR INSTANT FITTINGS

Subbase : cat no. **35900022**

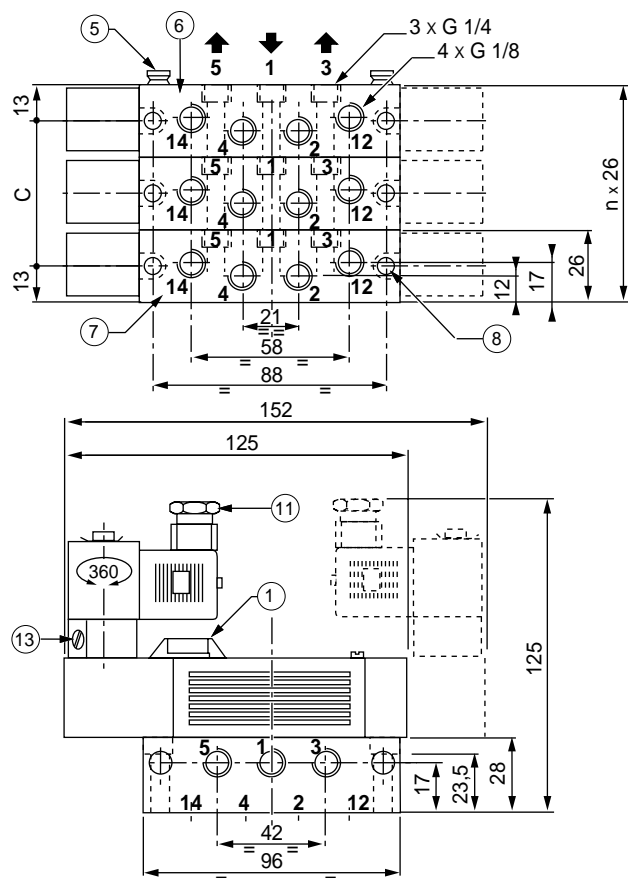
Weight : 0,700 kg



## VALVE ON JOINABLE SUBBASE

BOTTOM PORTS G 1/8 : **35500051 - 35500052**

Weight valve on subbase : 0,700 kg. Each



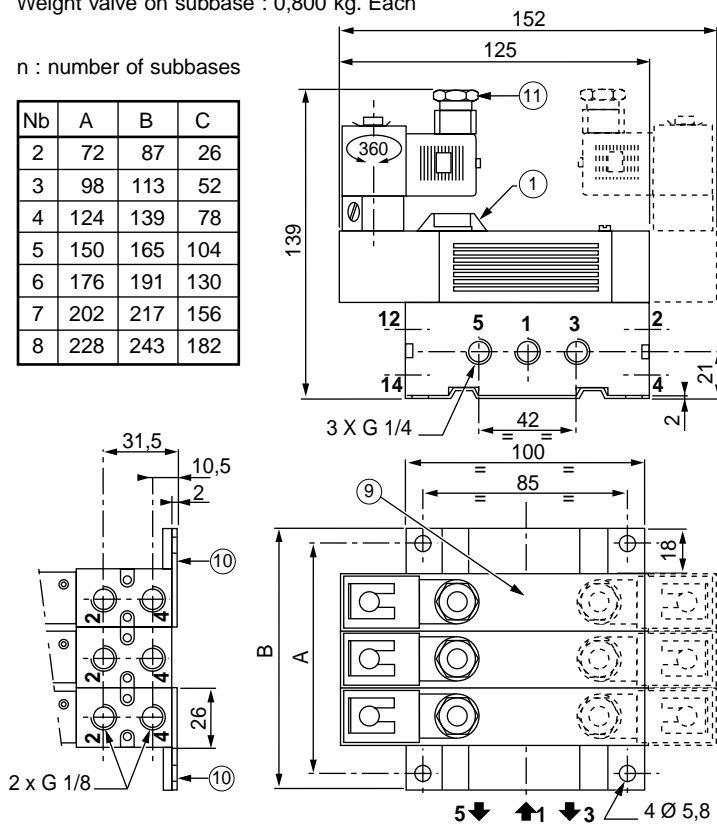
## VALVE ON JOINABLE SUBBASE

SIDE PORTS G 1/8 : **35500106 - 35500107**

Weight valve on subbase : 0,800 kg. Each

n : number of subbases

Nb	A	B	C
2	72	87	26
3	98	113	52
4	124	139	78
5	150	165	104
6	176	191	130
7	202	217	156
8	228	243	182



① Manual override and position indicator

② 2 mounting clips for rail EN 50022

③ 3 instant fittings for flexible tube Ø 6 mm OD (1-2-4)

④ 2 instant fittings for flexible tube Ø 4 mm OD (12-14)

⑤ Joining units

⑥ Joinable subbase cat no.: **35500052**

⑦ End subbase (blanking function) cat no.: **35500051**

⑧ Mounting 2 holes Ø 4,5 depth 23,5

⑨ End subbase (blanking function) cat no.: **35500107**

⑩ Plates of mounting

⑪ Connector rotatable by 180°

⑬ Manual override

All leaflets are available on: [www.ascojoucomatic.com](http://www.ascojoucomatic.com)

P565-2