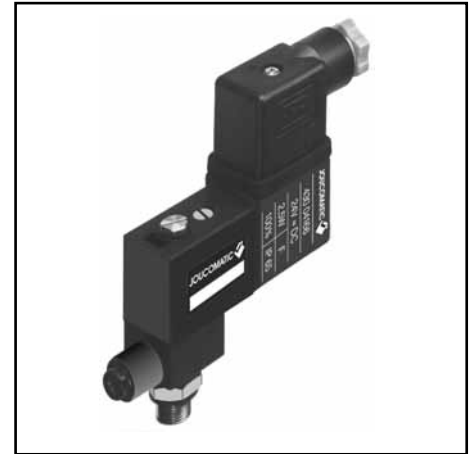


**FEATURES**

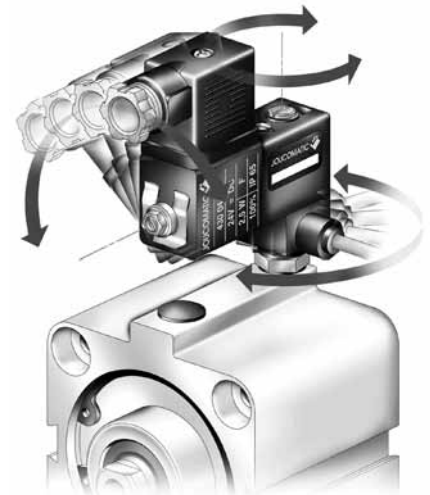
**Compact solenoid valve designed for direct mounting on an actuator** (single-acting cylinders, valves etc.) with the following advantages:

- Easy to connect
- Shorter response time
- Installation simplified due to 360° rotatable supply port (1), solenoid valve body, coil and connector
- Reduced envelope
- Built-in exhaust reducer
- Auxiliary manual operator
- Accepts a range of size 22 solenoid heads
  - IP65 grade (2,5 W)
  - Magnetic latching for memory functions
  - EEx "m" for potentially explosive atmospheres



**GENERAL**

FLUID CONTROLLED	: lubricated and unlubricated filtered air/gas
OPERATING PRESSURE	: 0 to 10 bar
SAFE STATIC PRESSURE	: 16 bar
FLUID TEMPERATURE	: -10°C to +60°C
AMBIENT TEMPERATURE	: -10°C to +60°C
FLOW (Qv at 6 bar)	: see table below
RESPONSE TIME	: 10 - 20 ms (air, pressure differential 6 bar)



**CONSTRUCTION**

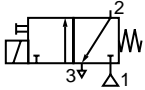
Body: Port 1 has quick-disconnect coupling for 4mm OD tube, Port 2 has G1/8 thread Exhaust connectable with M5 thread (Port 3) or equipped with an exhaust reducer  
Body rotatable through 360° about Port 2  
Body of filled 6/6 polyamide (PA)  
Nitrile seals (NBR)  
Electrical parts comply with French Standard NF C79300  
Moulded monolithic magnetic circuit and coil, rotatable through 360°  
Locking manual operator (screwdriver)

**ELECTRICAL CHARACTERISTICS**

Coil type	Voltages (1)		Consumption		Insulation class	Protection class	Electrical connection
	~	=	inrush	holding			
Size 22	~	24V - 48 V - 115V - 230V / 50 Hz	6 VA	3,5VA(2,5W)	F	IP65	spade plug size 22 connector, DIN 43650, 11 mm, industry standard B, rotatable by 180°
	=	24V- 48 V	2,5 W				

(1) Other voltages and 60 Hz frequency on request

**SPECIFICATIONS**

NC FUNCTION un-energized solenoid valve normally closed								 1 = Pressure 2 = Outlet 3 = Exhaust		
orifice size (mm)	Flow		Coefficient kV	Operating pressure differential (bar)		(M)	Exhaust reducer on Port 3	catalogue number(~/=)		
	at 6 bar l/min (ANR)			min	max			Solenoid valve with standard connector	Solenoid valve without connector	
1,2	1→2	2→3	1→2	2→3	0	10	●	without	<b>18900032</b>	<b>18900033</b>
	34	47	0,5	0,7				with	<b>18900047</b>	<b>18900043</b>

(M) Manual operator : ● maintained

**OPTIONS** (overleaf)

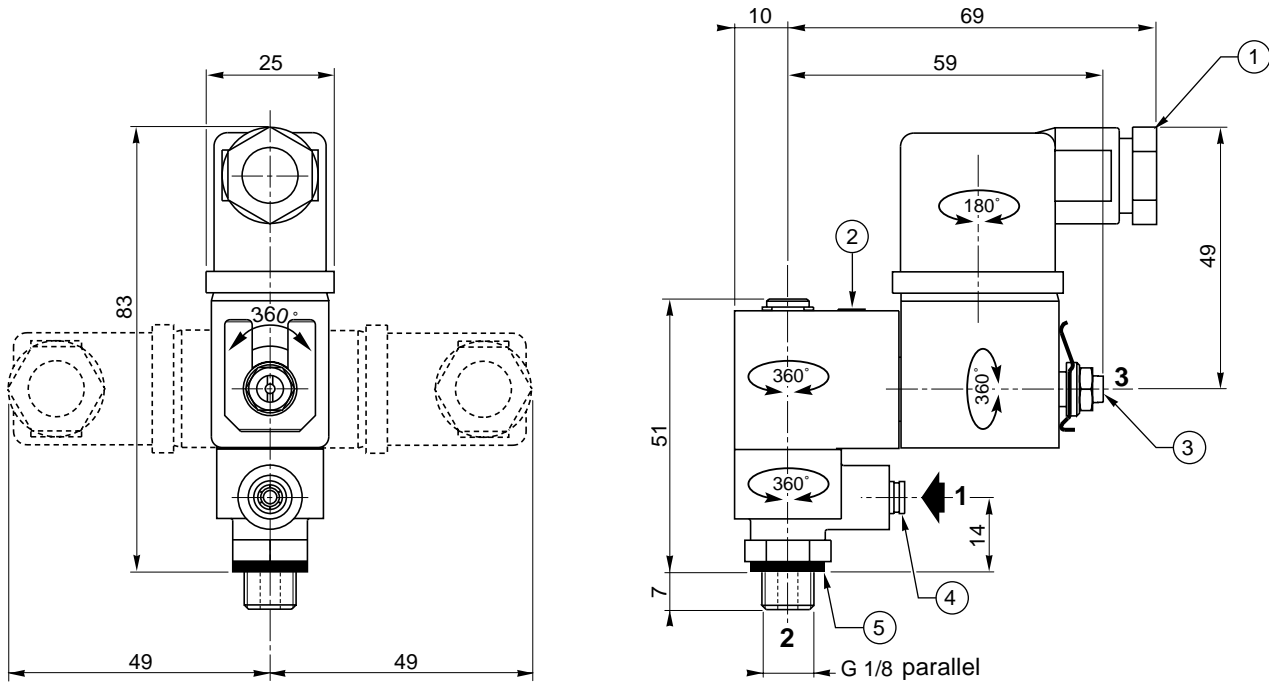
## OPTIONS

- Other voltages or 60Hz frequency on request
- Solenoid head certified to comply with European EEx "m" standards for potentially explosive atmospheres (PV), zones 1-21
- Solenoid head for dusty explosive atmospheres (DU), zone 22
- Double pulse coil, bistable function (see "Coils and Accessories" section)
- Connector with 2m lead : code **88122413**
- M5 exhaust reducer to fit Port 3 : code **34600380**
- Solenoid valve connector with integral protection and display :

<b>catalogue number</b> solenoid valve <b>without connector</b>	+	<b>catalogue number</b> Connector with integral protection and display			
		24V (~/=)	48V (~/=)	115V (~/=)	230V (~/=)
		<b>88122405</b>	<b>88122406</b>	<b>88122407</b>	<b>88122410</b>

## DIMENSIONS AND WEIGHT

Weight : 145 g (with connector)



- ① Connector : size 22 rotatable by 180°
- ② Manual operator (maintained)
- ③ Adjustable exhaust flow reducer
- ④ Connection to pressure supply with quick-disconnect coupling for 4mm OD tube (coupling rotatable through 360° around Port 2)
- ⑤ Seal