



#### PANEL MOUNTED "IN LINE" FLOW REGULATORS

##### FLUID :

Air or neutral gas, filtered, lubricated or not

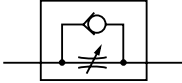
OPERATING PRESSURE : 1 to 10 bar

TEMPERATURE : - 10° C, + 60° C

##### CONSTRUCTION :

Body in aluminium

Seals in nitrile (NBR)

	
Connection Ø	CODES
Ø M5	<b>346 02 010</b>
G 1/8	<b>346 02 152</b>
G 1/4	<b>346 02 153</b>
G 3/8	<b>346 02 154</b>
G 1/2	<b>346 02 155</b>
G 3/4	<b>346 00 156</b>



#### BANJO FLOW REGULATOR, ADAPTABLE ON CYLINDER

##### FLUID :

Air or neutral gas, filtered, lubricated or not

OPERATING PRESSURE : 1 to 10 bar

TEMPERATURE : 0° C, + 70° C

Banjo connection for **direct** fitting to cylinder port for simple, compact installation.

Version (B) with a recessed adjustment screw is an even more compact design. It offers the additional advantage of preventing inadvertent loss of flow adjustment. Can be locked with a spot of varnish.

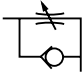
##### CONSTRUCTION :

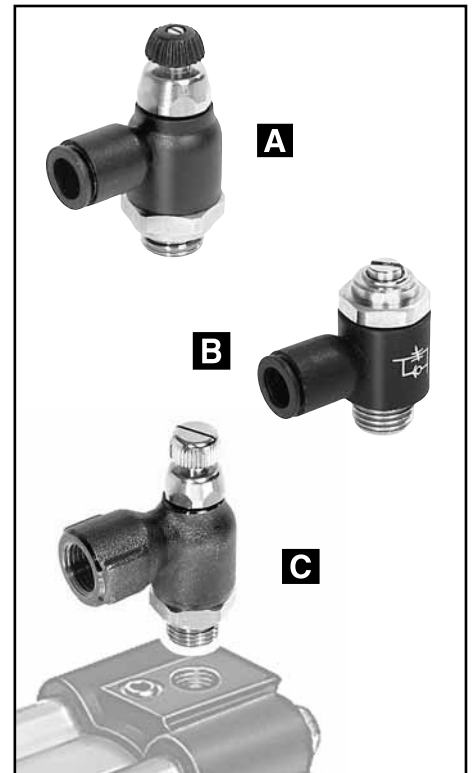
Body in polymer (A - B)

or brass treated (version C)

Screw, lock-nut, subbase in brass

Seals in nitrile (NBR)

		
Installation Ø	Ø connection by instant fittings	CODES
<b>A Plastic</b> body, adjustable by button/screw		
Ø M5	Ø 4 mm ext.	<b>346 02 188</b>
G 1/8	Ø 4 mm ext.	<b>346 02 221</b>
G 1/8	Ø 6 mm ext.	<b>346 02 222</b>
G 1/4	Ø 6 mm ext.	<b>346 02 223</b>
G 1/4	Ø 8 mm ext.	<b>346 02 224</b>
G 3/8	Ø 10 mm ext.	<b>346 02 021</b>
G 1/2	Ø 12 mm ext.	<b>346 02 022</b>
<b>B Plastic</b> body, adjustable by screw recessed		
Ø M5	Ø 4 mm ext.	<b>346 02 016</b>
G 1/8	Ø 4 mm ext.	<b>346 02 017</b>
G 1/8	Ø 6 mm ext.	<b>346 02 018</b>
G 1/4	Ø 6 mm ext.	<b>346 02 019</b>
G 1/4	Ø 8 mm ext.	<b>346 02 020</b>
Installation Ø	Ø connection tapped	CODES
<b>C Metal</b> body, tapped output, adjustable by button/screw		
G 1/8	G 1/8	<b>346 02 181</b>
G 1/4	G 1/4	<b>346 02 182</b>
G 3/8	G 3/8	<b>346 02 183</b>

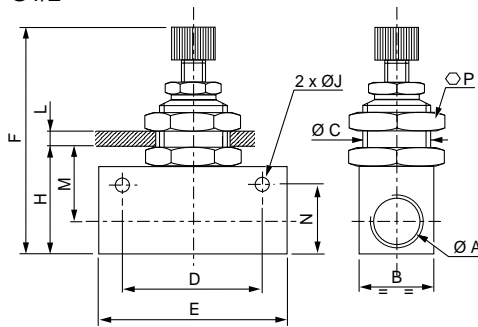


# Series 346

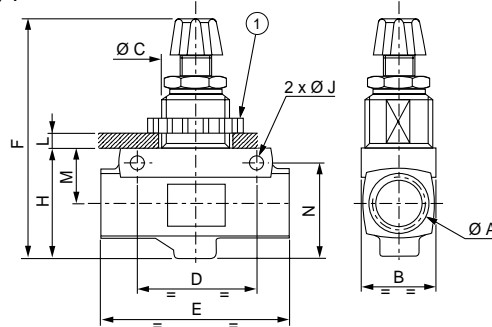
## DIMENSIONS AND WEIGHTS

### PANEL-MOUNTED "IN-LINE" FLOW REGULATORS

■ M5 to G1/2



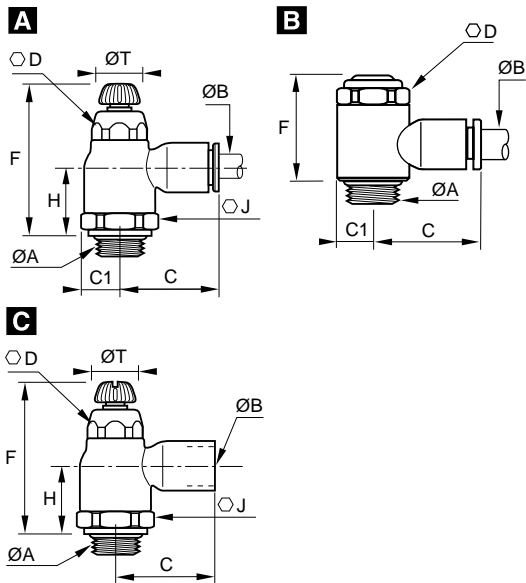
■ G3/4



CODES	Ø A	B	Ø C	D	E	F min.	F max.	H	Ø J	L max.	M	N	Ø P	Weight (kg)
346 02 010	M5	12	M9 x 0,75	18	25	32	37	17	3,2	3	10	12	11	0,019
346 02 152	G 1/8	16	M12 x 0,75	24	34	49	56	24	4,5	6	16	16	15	0,060
346 02 153	G 1/4	25	M18 x 1,5	35	50	67	75	35	6,5	7,5	23	25	22	0,140
346 02 154	G 3/8	25	M18 x 1,5	40	58	67	75	35	6,5	7,5	23	25	22	0,245
346 02 155	G 1/2	30	M22 x 1,5	50	65	80	92	46	6,5	10	29	33	26	0,360
346 00 156	G 3/4	39	M37 x 2	70	110	119	132	58	6,5	15,5	28	51	-	0,550

① Knurled nut

### BANJO FLOW REGULATOR, ADAPTABLE ON CYLINDER



CODES	ØA	ØB	C	C1	D	F min.	F max.	H	J	ØT	Weight
<b>A Plastic body, instant fittings output, adjustable by button/screw</b>											
346 02 188	M 5	4	17	4,5	6	23,5	26	-	-	-	0,008
346 02 221	G 1/8	4	22	9	10	38	44	16	16	10	0,021
346 02 222	G 1/8	6	22	9	10	38	44	16	16	10	0,021
346 02 223	G 1/4	6	22	9	10	36,5	42,5	15	16	10	0,021
346 02 224	G 1/4	8	28	10,5	14	41,5	48	18,5	19	12	0,037
346 02 021	G 3/8	10	32	12,5	17	45,5	54	20	23	17	0,059
346 02 022	G 1/2	12	35	13	17	45,5	54	20	24	17	0,065
<b>B Plastic body, instant fittings output, adjustable by screw recessed</b>											
346 02 016	M 5	4	19	5	8	17,5	19	-	-	-	0,007
346 02 017	G 1/8	4	19	7	13	25	26	-	-	-	0,017
346 02 018	G 1/8	6	21	7	13	25	26	-	-	-	0,019
346 02 019	G 1/4	6	22	9,5	17	26,5	28	-	-	-	0,034
346 02 020	G 1/4	8	27	9,5	17	26,5	28	-	-	-	0,035
<b>C Metal body, tapped output, adjustable by button/screw</b>											
346 02 181	G 1/8	G1/8	22,5	-	10	47	52,5	23	19	-	0,076
346 02 182	G 1/4	G1/4	32	-	14	50,5	55,5	25	19	-	0,107
346 02 183	G 3/8	G3/8	34,5	-	17	56	62	27	25	-	0,212



**SHUTTLE VALVE**

FLUID :  
Air or filtered neutral gas, lubricated or not  
OPERATING PRESSURE : 1 to 10 bar  
TEMPERATURE : - 10°C; + 60°C  
CONSTRUCTION :  
Body light alloy black anodized  
Internal parts steel + (NBR)

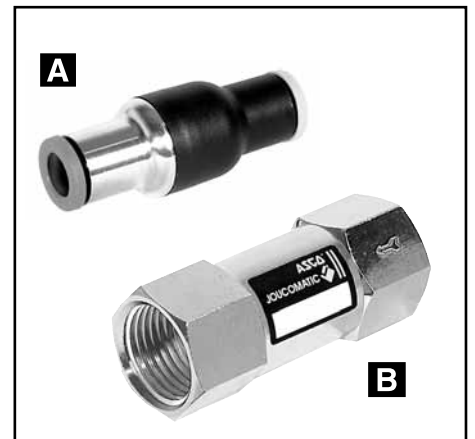
Connection Ø	Orifice Ø (mm)	CODES
G 1/8	3,2	<b>346 00 127</b>
G 1/4	6	<b>346 00 119</b>



**NON-RETURN VALVE**

FLUID :  
Air or filtered neutral gas, lubricated or not  
OPERATING PRESSURE :  
1 to 10 bar (plastic body)  
0,5 to 10 bar (metal body)  
TEMPERATURE : - 10° C, + 60° C  
CONSTRUCTION :  
Instant fittings version : body in polymer  
Tapped version : brass nickeled  
Internal parts in light alloy and brass  
Seals in nitrile (NBR)

Connection Ø	Flow at 6 bar (l/min)	CODES
<b>A Plastic body (instant fittings)</b>		
Ø4mm ext.	330	<b>346 02 445</b>
Ø6mm ext.	665	<b>346 02 446</b>
Ø8mm ext.	1630	<b>346 02 447</b>
<b>B Metal body (tapped)</b>		
Ø M5	190	<b>346 02 412</b>
G 1/8	920	<b>346 02 124</b>
G 1/4	1650	<b>346 02 125</b>
G 3/8	2400	<b>346 02 444</b>
G 1/2	3500	<b>346 02 126</b>



**QUICK EXHAUST VALVE**

FLUID :  
Air or filtered neutral gas, lubricated or not  
OPERATING PRESSURE : 0,5 to 10 bar  
TEMPERATURE : - 10°C; + 60°C  
CONSTRUCTION :  
Body in light alloy  
Membran in nitrile (NBR)

Connection Ø	Orifice Ø (mm)	CODES
G 1/4	12	<b>346 00 136</b>
G 3/8	12	<b>346 00 137</b>
G 1/2	20	<b>346 00 138</b>
G 3/4	20	<b>346 00 139</b>



**PNEUMATIC INDICATOR**

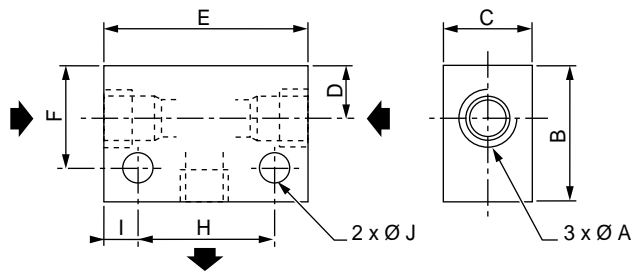
FLUID : Air or filtered neutral gas  
OPERATING PRESSURE : 2 to 8 bar  
AMBIENT TEMPERATURE :  
+ 5° C, + 70° C  
ANGLE OF VISION : 180°  
CONSTRUCTION :  
Lens in PC (polycarbonate)  
Body and collar in POM (polyacetal)  
Nut in brass

color	CODES
RED	<b>346 00 130</b>
GREEN	<b>346 00 131</b>
YELLOW	<b>346 00 132</b>



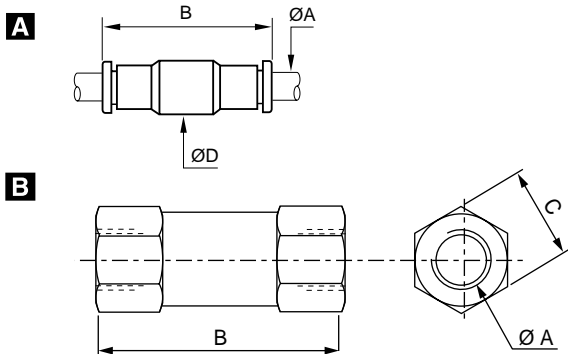
# Series 346

## SHUTTLE VALVE



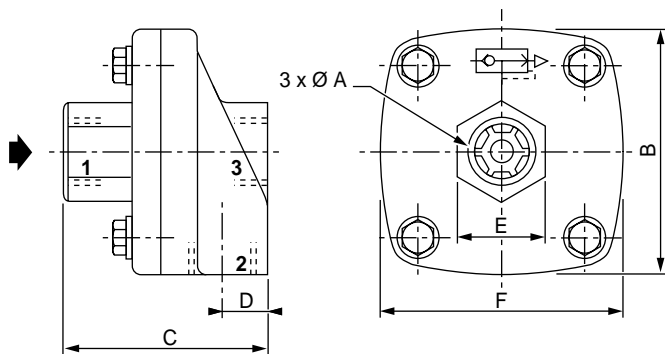
CODES	Ø A	B	C	D	E	F	H	I	J	Weight (kg)
346 00 127	G 1/8	26	16	8,5	51	20,5	32	9,5	4,5	0,150
346 00 119	G 1/4	30	20	10,5	52	21,5	35	8,5	5,5	0,210

## NON-RETURN VALVE



CODES	ØA	B	C	ØD	Weight (kg)
<b>A Plastic body (instant fittings)</b>					
346 02 445	Ø4mm ext.	38,5	-	16	0,008
346 02 446	Ø6mm ext.	41	-	16	0,013
346 02 447	Ø8mm ext.	51,5	-	19	0,018
<b>B Metal body (tapped)</b>					
346 02 412	Ø M5	25	8	-	0,008
346 02 124	G 1/8	36,5	13	-	0,025
346 02 125	G 1/4	41	16	-	0,041
346 02 444	G 3/8	51	20	-	0,074
346 02 126	G 1/2	62	24	-	0,120

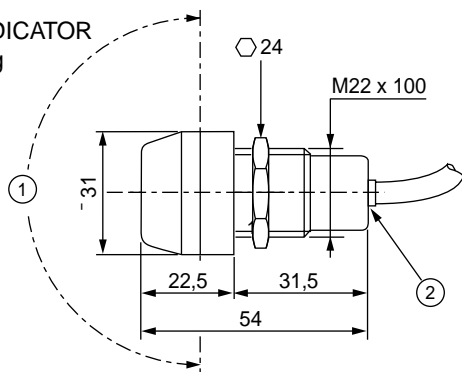
## QUICK EXHAUST VALVE



CODES	Ø A	B	C	D	E	F	Weight (kg)
346 00 136	G 1/4	64	52	13	25	64	0,185
346 00 137	G 3/8	64	52	13	25	64	0,185
346 00 138	G 1/2	85	72	19	38	97	0,420
346 00 139	G 3/4	85	72	19	38	97	0,390

## PNEUMATIC INDICATOR

Weight : 0.035 kg



- ① Angle of vision 180°
- ② Instant fittings for flexible tube with outside Ø 4