

- Poppet valves intended for use in potentially explosive atmospheres caused by gases, vapours, mists an/or dusts (**ATEX directive 94/9/EC**).

CLASSIFICATION: II3GD c - Ta 60°C T85°C (T6) (**ZONE 2-22**)
 II2GD c - Ta 60°C T85°C (T6) (**ZONE 1-21**)

- Compliance with the Essential Health and Safety Requirements has been assured by compliance with European Standards **EN 13463-1** and **EN 13463-5**.

GENERAL

FLUID : air or neutral gas, filtered, lubricated or not
 PRESSURE : 2 to 10 bar
 TEMPERATURE : - 10 °C, + 40 °C
 FLOW (Qv at 6 bar) : see table below



CONSTRUCTION

Series 263 with instant fittings 6 mm O. D. and tapped G 1/8
 Series 264 - tapped G 1/4
 Body zinc diecast
 Synthetic rubber poppets
 Sealing nitrile (NBR)
Unit can be mounted individually or joined together
 by using diabolos with locking screws

ELECTRICAL CHARACTERISTICS

pilot	coil size	classification	voltage		consumption		insulation class	protection degree	electrical connection
			~	=	inrush	hold			
Serie 189	PV-m22	II2 GD EEx m II T5..T4	~	24V-115V-230V-50 Hz	9 VA	5VA (4W)	F	IP 65	spade plug size 22 connector, DIN 43650, 9,4 mm, industry standard B, rotatable by 180°
			=	24V	4 W				
Serie 189	CM 22	II3 D IP65 T85°C to T100°C	~	24V-115V-230V-50 Hz	6 VA	3,5VA(2,5W)	F	IP 65	
			=	24V	2,5 W				

COILS TEMPERATURE CLASSIFICATION TABLE

Operator for explosive atmospheres

Coils AC (~) zones 1-21 / 2-22

Pn (Watt)	pilot/coil 189 / PV-m22	maximum ambient °C ¹⁾ surface temperature			
		T6 85°C	T5 100°C	T4 135°C	T3 200°C
Insulation class F (155°C) 100 % E.D.					
4	●			60	

Coils DC (=) zones 1-21 / 2-22

Pn (Watt)	pilot/coil 189 / PV-m22	maximum ambient °C ¹⁾ surface temperature			
		T6 85°C	T5 100°C	T4 135°C	T3 200°C
Insulation class F (155°C) 100 % E.D.					
4	●		25	80	

1) Minimum ambient température : -10°C

Coils AC (~) zone 22

Pn (Watt)	pilot/coil 189 / CM22	maximum ambient °C ¹⁾ surface temperature			
		85°C	100°C	135°C	200°C
Insulation class F (155°C) 100 % E.D.					
2,5	●	40	60		

Coils DC (=) zone 22

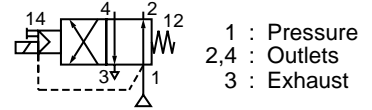
Pn (Watt)	pilot/coil 189 / CM22	maximum ambient °C ¹⁾ surface temperature			
		85°C	100°C	135°C	200°C
Insulation class F (155°C) 100 % E.D.					
2,5	●	40	60		

1) Minimum ambient température : -10°C

Series 263-264

SPECIFICATIONS

When ordering, please specify : the spool valve standard code and its **ATEX option catalogue number zone 1-21 : 612 034 or zone 2-22 : 612 033** and the **solenoid pilot catalogue number**

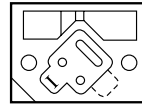


ports Ø	orifice Ø (mm)	flow		fluid pressure (1) (bar)		2 catalogue numbers		maintained manual operator
		at 6 bar (l/min ANR)	KV coeff.	min.	max.	valve	+ solenoid pilot ~ / =	
Ports 2-4 with instant fittings Ports 1-3 : G 1/8	3	210	3	2	10	26390005	+ PV18900001 DU18900001	●
Tapped G 1/8	3	210	3	2	10	26390002	+ PV18900001 DU18900001	●
Tapped G 1/4	6	840	12	2	10	26490026	+ PV18900001 DU18900001	●

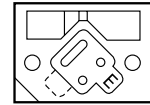
The valves 263-264 are fitted with pilot seals, which means that valves can be adapted to : internal supply (mark I) or external supply (mark E).

The equipment is supplied with internal supply (mark I).

(1) With external supply, the pilot pressure must be equal to or superior to the pressure in the valve.



Internal supply (I)

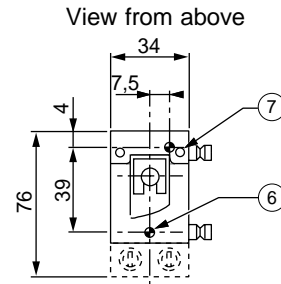
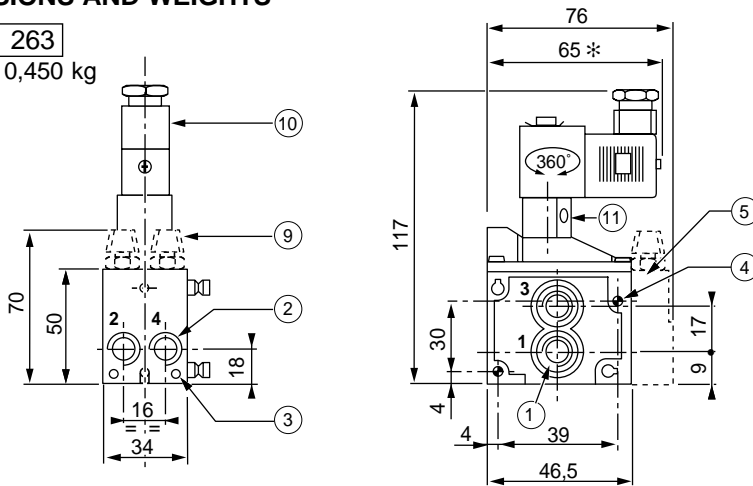


External supply (E)

DIMENSIONS AND WEIGHTS

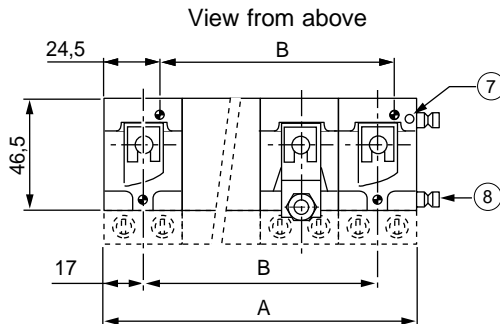
VALVE 263

Weight : 0,450 kg



number of solenoid valves								
	2	3	4	5	6	7	8	+ 1
A	68	102	136	170	204	238	272	+ 34
B	34	68	102	136	170	204	238	+ 34

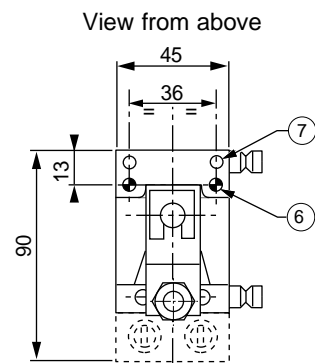
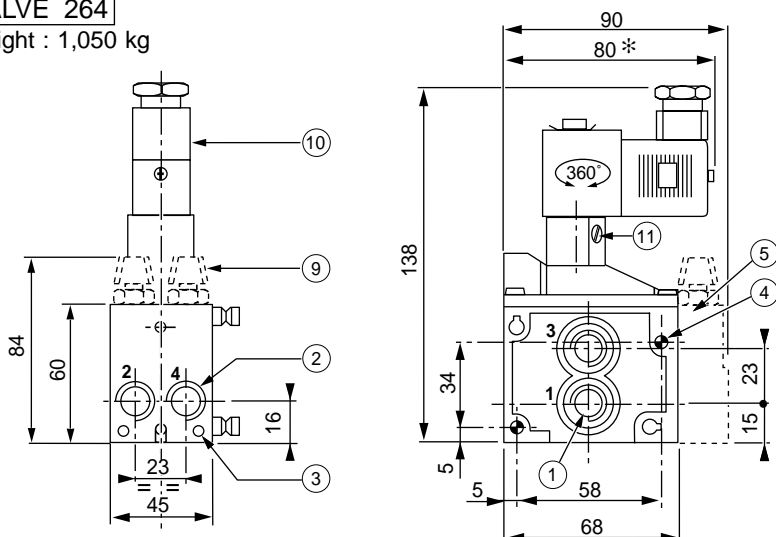
Joinable VALVES



- ① 4 ports G 1/8
Solenoid valve supplied with 1 plug on orifices 1 and 3 and seal joints
- ② 2 ports G 1/8 or instant fittings Ø 6 OD
- ③ 2 grub screws for joining spindles
- ④ 2 screws for side mounting Ø 4,2 x 34
- ⑤ Accessory : Flow rate regulator
- ⑥ Top mounting : 2 holes Ø 4,2 x 50
- ⑦ 2 grub screws for joining spindles
- ⑧ Joining spindles
- ⑨ Flow rate adjustment buttons
- ⑩ Pilot series 189
- ⑪ Manual override
- * +15 mm for plug removal.

VALVE 264

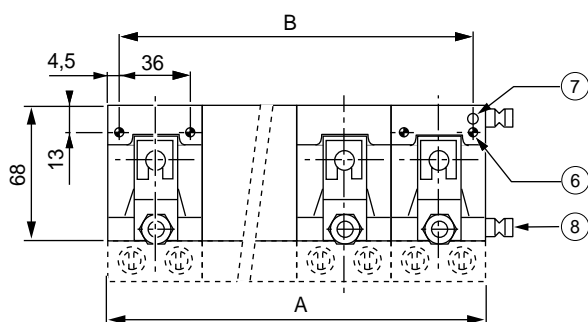
Weight : 1,050 kg



Number of solenoid valves								
	2	3	4	5	6	7	8	+ 1
A	90	135	180	225	270	315	360	+ 45
B	81	126	171	216	261	306	351	+ 45

Joinable VALVES

View from above



- ① 4 ports G 1/4
Solenoid valve supplied with 1 plug on orifices 1 and 3 seal joints.
- ② 2 ports G 1/4
- ③ 2 grub screws for joining spindles
- ④ 2 screws for side mounting Ø 5,5 x45
- ⑤ Accessory : Flow rate regulator
- ⑥ Top mounting : 2 holes Ø 5,5 x 60
- ⑦ 2 grub screws for joining spindles
- ⑧ Joining spindles
- ⑨ Flow rate adjustment buttons
- ⑩ Pilot series 189
- ⑪ Manual override
- * +15 mm for plug removal

ACCESSORIES

- Unit consisting of 2 flow regulators, joinable
 - for valves 263 (instant fittings Ø 6 mm) - code : **34600211**
 - for valves 263 (G 1/8) - code : **34600209**
 - for valves 264 (G 1/4) - code : **34600109**
- Valves association transfer unit for valves 263 and 264, allowing communication of pressure feed (1) and exhaust (3) ports. (18 mm thick) - code : **88126303**
- Power supply unit separate from main pressure
 - for valve 263 (G 1/8) - code : **88126301**
- The valves series 263 can be mounted on EN 50022 rail, using mounting clips. 10 clips. - code : **33400036**

