

## FEATURES

- The solenoid valves satisfy all relevant EC directives
- Solenoid head is separated from the fluid
- Rugged construction for high pressures and harsh environments
- The 4/2 function can control a double-acting actuator
- Manually reset version available

## GENERAL

**Differential pressure** 0 to 8 bar [1 bar = 100 kPa]  
**Ambient temperature range** -10°C to +40°C  
**Response time (1)** 30 ms [opening/closing in AC (-)]

fluids (*)	temperature range (TS)	seal materials (*)
Air or inert gas	-10°C to +80°C	NBR (nitrile)

## MATERIALS IN CONTACT WITH FLUID

(\*) Ensure that the compatibility of the fluids in contact with the materials is verified

**Body** Brass  
**Internal parts** Stainless steel  
**Springs** Stainless steel  
**Seals** NBR  
**Shading coil** Copper

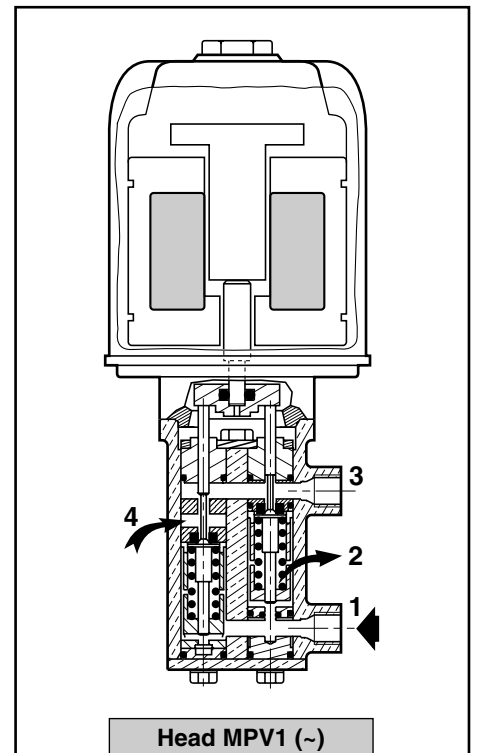
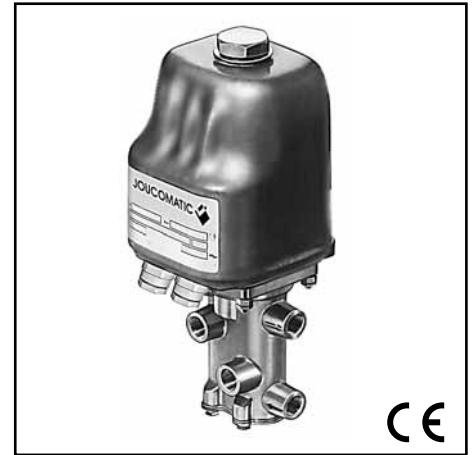
## OTHER MATERIALS

**Solenoid head** MPV1 (AC ~) IP54 metal bonnet  
 CPV1 (DC =) IP65 cast iron cover

## ELECTRICAL CHARACTERISTICS

**Coil insulation class** B  
**Coil fitting** Screw terminals  
**Cable entry** Cable gland (Pg11P)  
**Electrical safety** IEC 335  
**Standard voltages** DC (=) : 24V - 48V  
 AC (~) : 24V - 115V - 230V / 50 Hz  
 (Other voltages on request)

solenoid head reference	nominal power ratings				ambient temperature range (TS) (°C)	coil construction
	inrush		holding			
	~ (VA)	~ (VA)	~ (W)	= (W)		
MPV1 (~)	700	70	20	-	-10 to +40	wrapped
CPV1 (=)	-	-	-	24	-	-



## SPECIFICATIONS

pipe size (G*)	orifice size (mm)	flow coefficient Kv (m³/h, l/min)		operating pressure differential (bar)				solenoid head reference		(C)	(M)	catalogue number		reference
				min.	maximum (PS)		NBR seals					reference		
					air / inert gas (*)								~	
1/4	4	0,18	3	0	8	8	MPV1	-	1	×	13100244	-	V401-4	
							-	CPV1	2	×	-	13101196		

(M) Manual operator: X: without (holding manual operator or impulse manual operator on request, see options)  
 (C) Construction type, (see "dimensions" chapter)  
 (1) Air operation with  $\Delta P = 6$  bar

**Manually reset solenoid valve:**  
 version with manual reset operator + 5A contact  
*ordering catalogue number:*  
 above solenoid valve catalogue number +  
 one of the following reset  
 option catalogue number:  
 • head MPV1 (~), catalogue number 260565  
 • head CPV1 (=), catalogue number 260567

**OPTIONS**

- **Manual reset version** with 5A auxiliary switch: catalogue number **260565** (with MPV1), catalogue number **260567** (with CPV1)
- Body solenoid valve  $\varnothing$  3 mm,  $\Delta P = 0$  to 12 bar
- Flameproof enclosure to EEx d, for potentially explosive atmospheres according to "ATEX/CENELEC"
- On solenoid head MPV1 (~):
  - maintained manual operator, catalogue number **210515** / impulse manual operator, catalogue number **210517**
  - auxiliary switch: 5A, catalogue number **260541**
- On solenoid head CPV1 (=):
  - adaptation of a diode on direct current coil, catalogue number **010001**
  - holding manual operator, code **210519** / impulse manual operator, catalogue number **210521**
  - auxiliary switches: 5A, catalogue number **260547** / 15 A, catalogue number **260549**
  - auxiliary switches in neutral atmosphere with or without manual reset
- On solenoid heads MPV1 / CPV1 (~/=):
  - cover on manual operator, catalogue number **160001**
  - marine paint, catalogue number **609502** / anti-corrosive paint, catalogue number **609503**
  - other cable glands Pg 13P (CM12); Pg 16P (CM14); BV1; BV2; BVP1
- On valve body:
  - oxygen rated, catalogue number **970507**

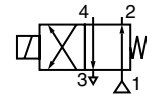
**INSTALLATION**

- **Vertical mounting only, solenoid head upwards**
- 2 (MPV1) or 3 (CPV1) mounting holes
- Pipe connections (G\*) have standard combination thread according to ISO 228/1 and ISO 7/1
- Spare parts kits and replacement coils are available

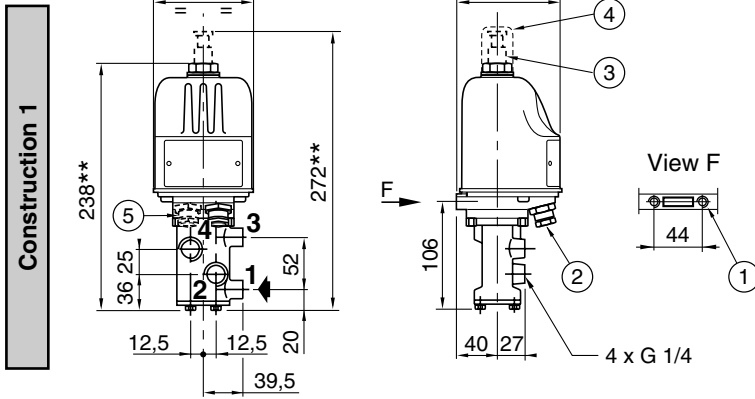
**DIMENSIONS (mm), WEIGHT (kg)**



AC solenoid valve / solenoid head type: MPV1

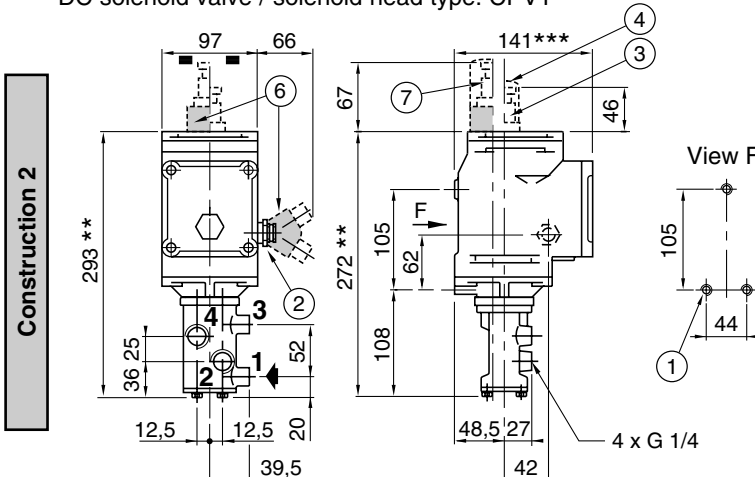


Function 4/2 - Pressure inlet in 1



- ① Mounting holes M6, depth 9 mm
- ② Cable gland (Pg11P)
- ③ Manual operator (option)
- ④ Cap on manual operator (option)
- ⑤ Second cable gland (Pg11P) with auxiliary switch (option)
- ⑥ Option: auxiliary switch with 2 cable glands (Pg11P)
- ⑦ Manual operator with auxiliary switch (option)

DC solenoid valve / solenoid head type: CPV1



\*\* + 115mm for cover removal  
\*\*\* + 17mm for cover removal

solenoid head	weight (1)
MPV1 (~)	3,300
CPV1 (=)	8,700

(1) Incl. coil