

### FEATURES

- Miniature brass or stainless steel bodied 2 position 5 ported valves designed to control double acting cylinders
- Direct lift solenoid valves combined with a pilot operated poppet have a resilient soft seating for absolute tight shut-off
- These valves require a minimum operating pressure of 0,7 bar
- For operating pneumatic operated control valves and small single and double acting cylinders
- Special constructions are available for: dry air-gas, continuous cycling, heavy duty operation, clickless and quiet operation
- The solenoid valves satisfy all relevant EC directives

### GENERAL

Differential pressure	0,7 - 10 bar [1 bar = 100 kPa]
Maximum viscosity	9 cSt (mm <sup>2</sup> /s)
Response times	75 - 100 ms

fluids (*)	temperature range (TS)	seal materials (*)
air, inert gas, water, oil	-20 to +90°C	NBR (nitrile)

### MATERIALS IN CONTACT WITH FLUID

(\*) Ensure that the compatibility of the fluids in contact with the materials is verified

Body	Brass or stainless steel AISI 303
Core tube	Stainless steel
Core and plugnut	Stainless steel
Core spring	Stainless steel
Seal	NBR
Disc-core upper	PA
Disc-core lower	NBR
Poppet	NBR
Piston	PA
U-cup piston	NBR
Seat	Brass
Shading coil	Copper

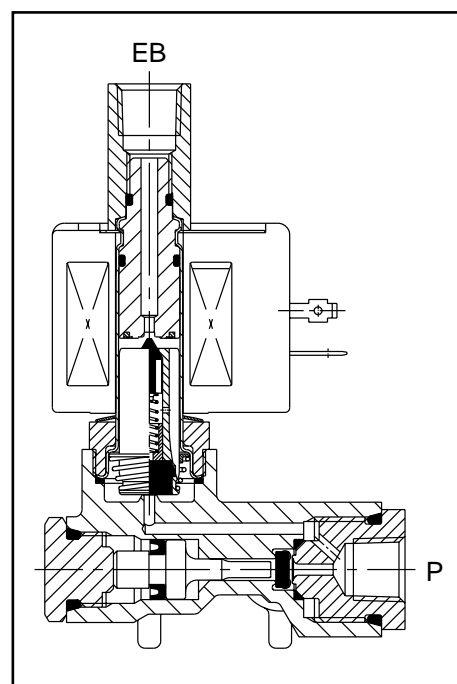
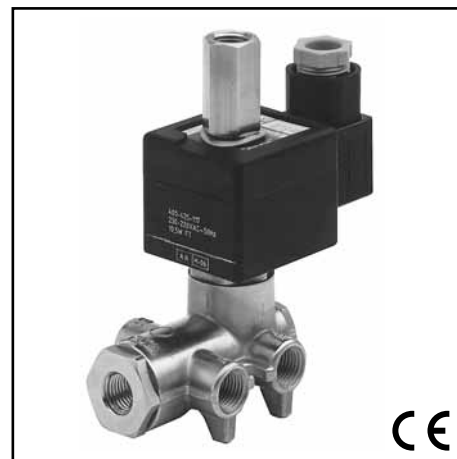
### ELECTRICAL CHARACTERISTICS

Coil insulation class	F
Connector	Spade plug (cable Ø 6-10 mm)
Connector specification	ISO 4400 / EN 175301-803, form A
Electrical safety	IEC 335
Standard voltages	DC (=) : 24V
(Other voltages and 60 Hz on request)	AC (~) : 24V - 115V - 230V / 50 Hz

coil type	power ratings				ambient temperature range (TS) (°C)	protection
	inrush ~		holding ~			
	(VA)	(VA)	(W)	(W)		
CMXX-FT	55,0	23,0	10,5	9 / 11,2	-20 to +75	moulded IP65

### SPECIFICATIONS

pipe size	orifice size		flow coefficient Kv				operating pressure differential (bar)						coil type	catalogue number	OPTIONAL					
	press.	exh.	pressure		exhaust		min.	maximum (PS)							FPM	EPDM	CR	PTFE		
			(mm)	(mm)	(m <sup>3</sup> /h)	(l/min)		(m <sup>3</sup> /h)	(l/min)	air (*)		water (*)							oil (*)	
NPT	(mm)	(mm)	(m <sup>3</sup> /h)	(l/min)	(m <sup>3</sup> /h)	(l/min)		~	=	~	=	~	=	~	=	~/=				
<b>Brass body, NBR seals</b>																				
1/4	1,6	2,4	0,08	1,34	0,08	1,34	0,7	10	7	10	7	10	7	10	7	CMXX-FT	SCB345E001	V		
<b>Stainless steel body, NBR seals</b>																				
1/4	1,6	2,4	0,08	1,34	0,08	1,34	0,7	10	7	10	7	10	7	10	7	CMXX-FT	SCB345E081	V		
<b>Brass body, NBR seals, exhaust to atmosphere</b>																				
1/4	1,6	2,4	0,08	1,34	0,08	1,34	0,7	10	7	-	-	-	-	-	-	CMXX-FT	SCB345B002	V		



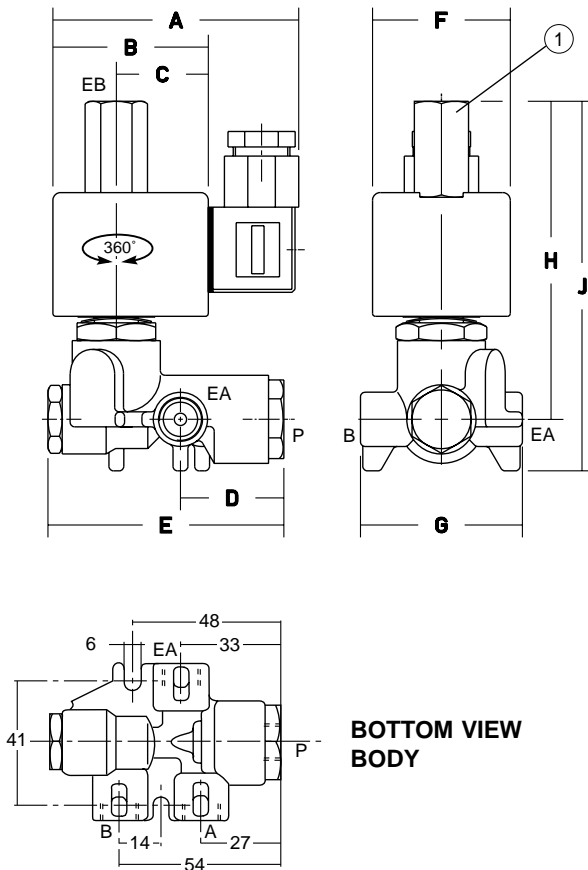
### OPTIONS

- Valves can also be supplied with FPM (fluorelastomer) seals, discs and poppets
- Waterproof enclosure with embedded screw terminal coil and Pg 13,5 cable gland to meet CEE-10 (IP67)
- Explosionproof enclosures for hazardous locations according to "ATEX/CENELEC" and national standards
- Explosionproof and watertight enclosures according to "NEMA" standards
- Compliance with "UL" and "CSA" standards
- Low power execution
- Manual operator
- Plug with visual indication and with peak voltage suppression or with cable length of 2m

### INSTALLATION

- The valves can be mounted in any position without affecting operation
- Mounting holes (2) are provided in the valve body
- Pipe connection identifier is: B = NPT (ANSI (1.20.3))
- **Important:** a minimum operating pressure differential must be maintained between the pressure and exhaust ports. Supply and exhaust piping must be full area and unrestricted.
- The third digit in the catalogue number indicates the standard pipe connection
- Other pipe threads are available on request
- Installation/maintenance instructions are included with each valve
- Spare Parts Kit and replacement coils are available

### DIMENSIONS (mm), WEIGHT (kg)



**BOTTOM VIEW  
BODY**

(1) 1/4 NPT (no threaded connection on SCB345B2)

catalogue number SC B345	A	B	C	D	E	F	G	H	J	weight (1)
E001, E081	82	50	30	33	76	45	52	103	120	1,1
B002	82	50	30	33	76	45	52	75	92	1,0

(1) incl. coil and connector

All leaflets are available on : [www.ascojoucomatic.com](http://www.ascojoucomatic.com)