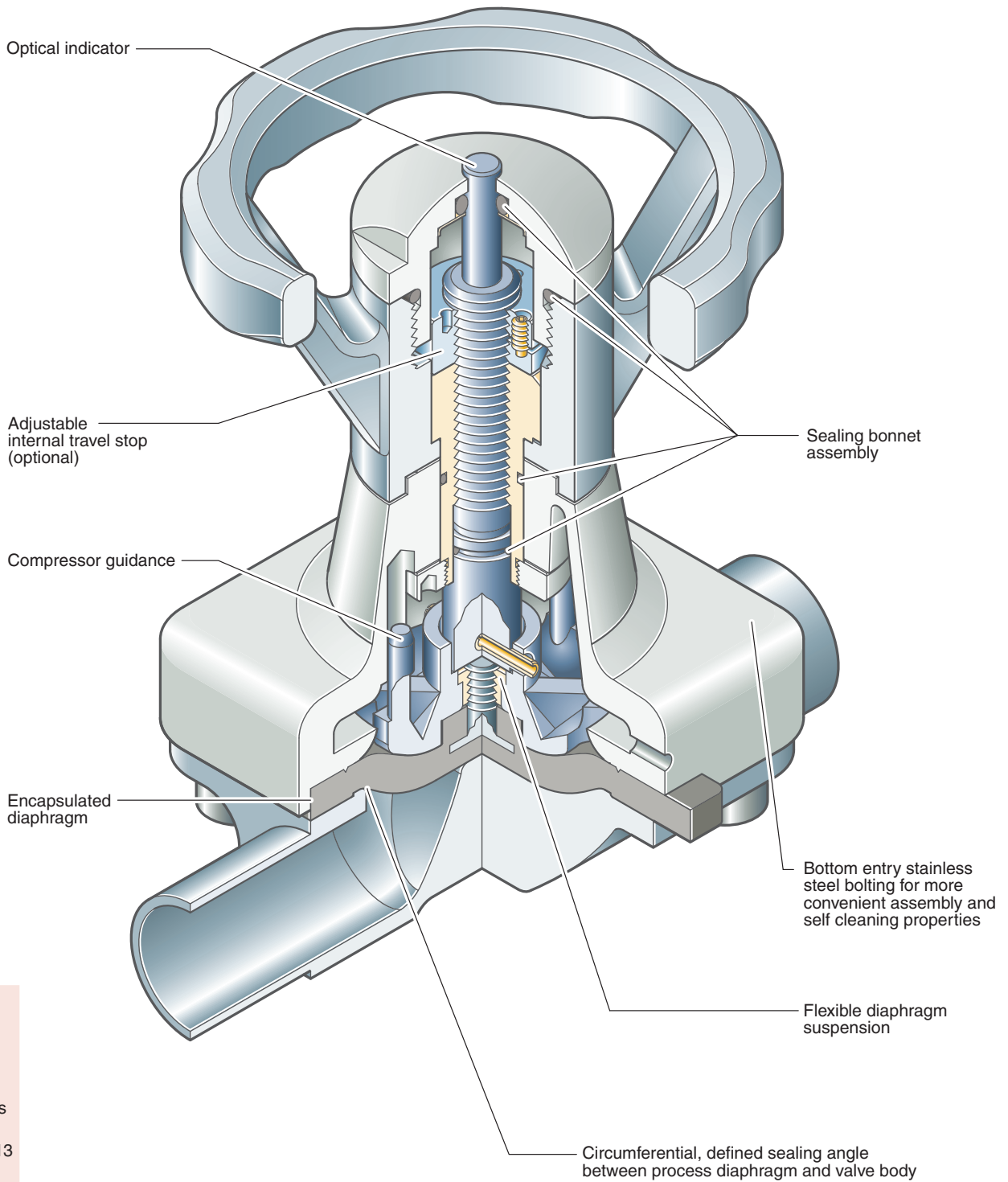


Steripur 997

Manual Valve DN 15 - 100 mm (1/2" - 4")



Butt weld ends
MA 25 - 100
Fold out page 13

Steripur 997

Manual Valve DN 15 - 100 mm (1/2" - 4")



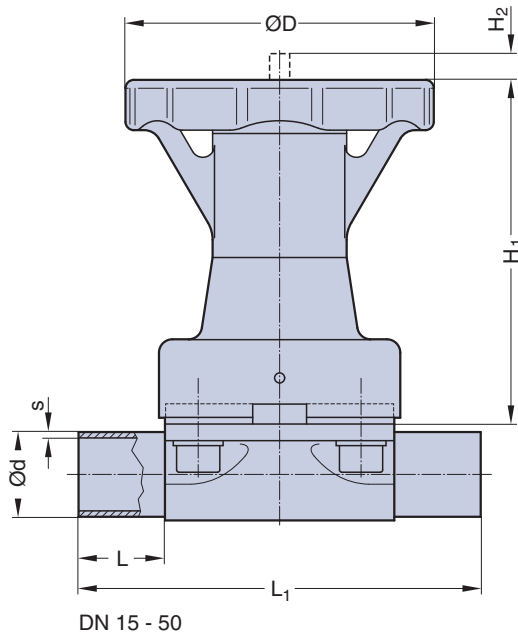
DN 15 - 50

Features

- Stainless steel bonnet and hand wheel
- Non rising hand wheel with optical indicator
- Sealed bonnet
- Autoclavable
- Circumferential, defined sealing angle between process diaphragm and valve body
- Flexible diaphragm suspension
- Encapsulated diaphragm

Optional

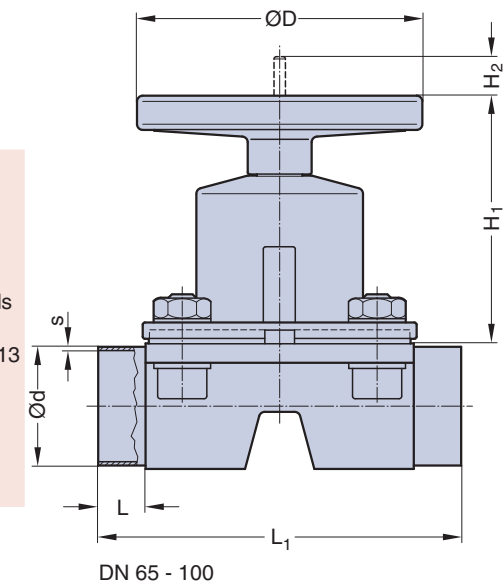
- Adjustable internal travel stop or stroke limiter



DN 15 - 50

Technical Data

Control function:	Manually operated
Max. working pressure:	10 bar (150 psi) DN 65-100 diaphragm PTFE 8 bar (120 psi)
Max. working temperature:	175°C (350°F) dependent on application
Diaphragm material:	EPDM or PTFE
Valve body material:	Forged 1.4435/ 316L ASME/BPE Investment cast 1.4435/ 316L Other Alloys
End connection:	Butt weld ends see fold out page 13 Clamps and flanges see page 14 and 15 Special ends
Bonnets suitable for:	Two-Way bodies Welded configurations T- bodies Multiport bodies Tank bottom bodies
Flow rate:	Kv in m ³ /h (Cv in GPM) see page 7
Diaphragm size:	MA see table



DN 65 - 100

DN (mm)	Dimensions (mm)					
	MA	L	L ₁	H ₁	H ₂	D
15-25	25	25	120	103	10	92
32-40	40	25	153	135	17	135
50	50	30	173	135	24	135
65	80	30	216	180	38	198
80	80	30	254	180	38	198
100	100	30	305	220	50	252

Butt weld ends
MA 25 - 100
Fold out page 13