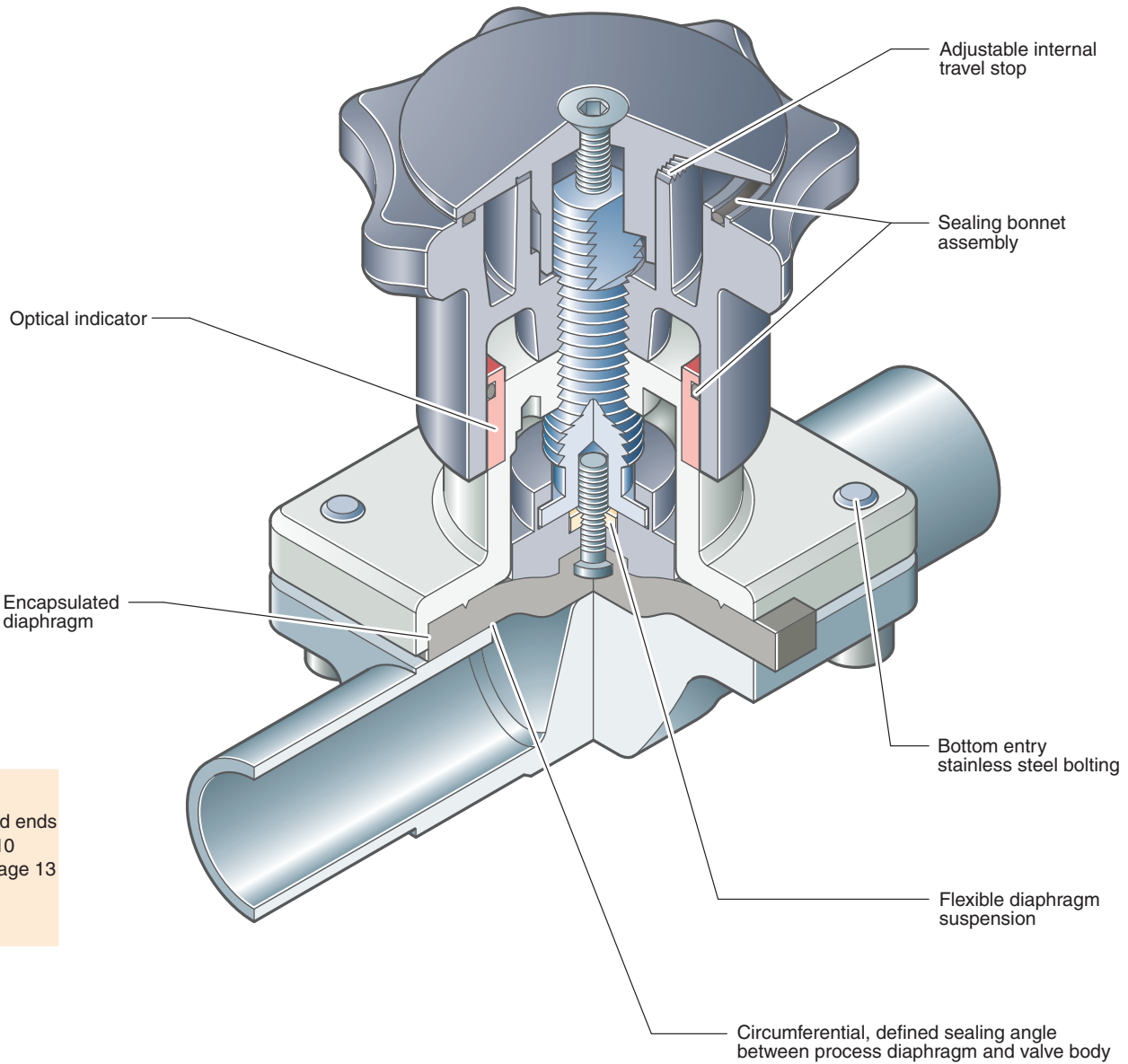


Steripur 397 / KMA 295 / KMD 289

Manual Valve DN 8 - 20 mm (3/8" - 3/4")



Sectional drawing shows KMA 295

Steripur 397 / KMA 295 / KMD 289

Manual Valve DN 8 - 20 mm (3/8" - 3/4")



KMD 289

Specific Features

Type 397 Steripur

- **Stainless steel bonnet and hand wheel**
- Autoclavable

Type 295 KMA

- **Stainless steel bonnet and thermoplastic hand wheel**
- Autoclavable

Type 289 KMD

- **Thermoplastic bonnet and hand wheel**

General Features

- Rising hand wheel
- Sealed bonnet with optical indicator
- Adjustable internal travel stop
- Circumferential, defined sealing angle between process diaphragm and valve body
- Flexible diaphragm suspension
- Encapsulated diaphragm

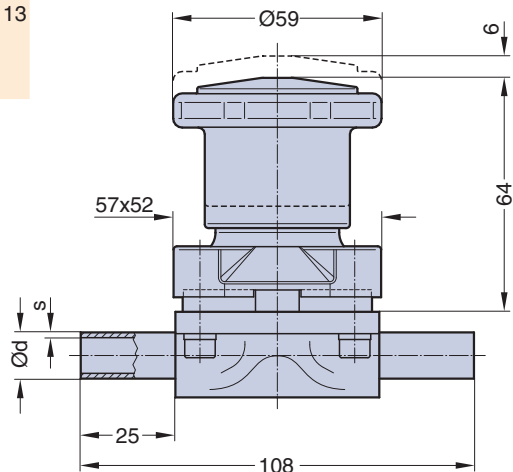


Steripur 397

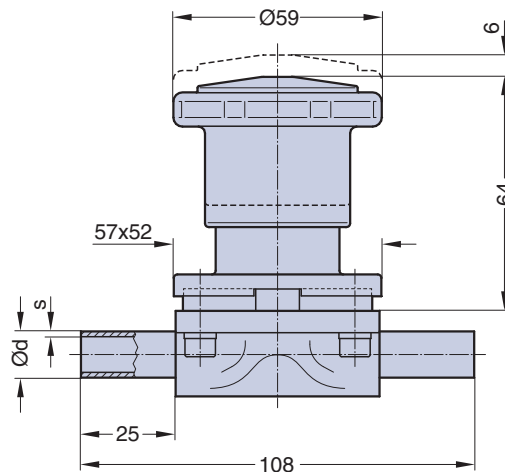
Technical Data

Control function:	Manually operated
Max. working pressure:	10 bar (150 psi)
Max. working temperature:	160°C (320°F) dependent on application
Diaphragm material:	EPDM or PTFE
Body material:	Forged 1.4435/ 316L ASME/BPE Investment cast 1.4435/ 316L Other Alloys
End connection:	Butt weld ends see fold out page 13 Clamps and flanges see page 14 and 15
Bonnets suitable for:	Special ends Two-Way bodies Welded configurations T-bodies Multiport bodies Tank bottom bodies
Flow rate:	Kv in m ³ /h (Cv in GPM) see page 7
Diaphragm size:	MA 10 for all body sizes

Butt weld ends
MA 10
Fold out page 13



KMD 289



KMA 295 and Steripur 397