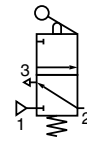


**PILOT VALVE**  
mechanically operated  
instant fittings  
for Ø 4 mm OD tube or G 1/8

NC



**3/2**  
Series  
**310**

**SPECIFICATIONS**

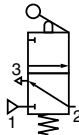
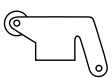
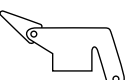
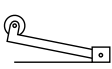
FLUID	: Air or neutral gas, filtered, lubricated or not
PORTS	: instant fittings for Ø 4 mm OD tube or G 1/8
PRESSURE	: 0 to 10 bar
TEMPERATURE	: -5°C to + 60°C
FLOW (Qv at 6 bar)	: 280 l/min (ANR)
Ø NOMINAL	: 3,5 mm

**CONSTRUCTION**

Spool and poppet design closed centre  
Body zinc diecasting  
Internal parts acetal  
Sealing nitrile (NBR)



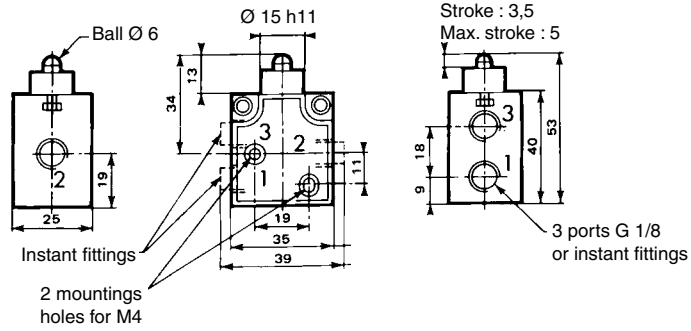
**CHOICE OF EQUIPMENT**

		<b>FUNCTION NC</b> Normally closed		 1 = Pressure 2 = Outlet 3 = Exhaust	
Type	Description	Effort (daN)	CODES		
			Head ALONE	ASSEMBLY (valve + head)	
				Instant fittings	G 1/8
—	Valve alone <b>BODY NC</b>	5	—	<b>31090002</b>	<b>31090001</b>
	Lever roller acetal	2	<b>88131001</b>	<b>31000011</b>	<b>31000004</b>
	One way trip acetal	1,5	<b>88131002</b>	<b>31000012</b>	<b>31000005</b>
	Lever roller metal	2	<b>88131005</b>	<b>31000013</b>	<b>31000006</b>

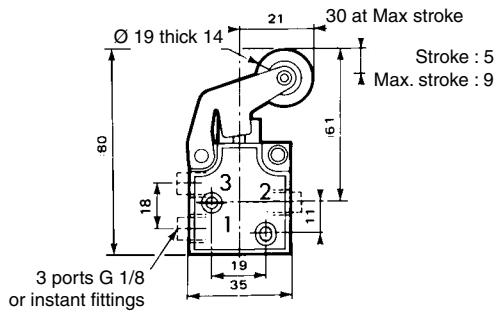
**G**

**DIMENSIONS AND WEIGHTS**

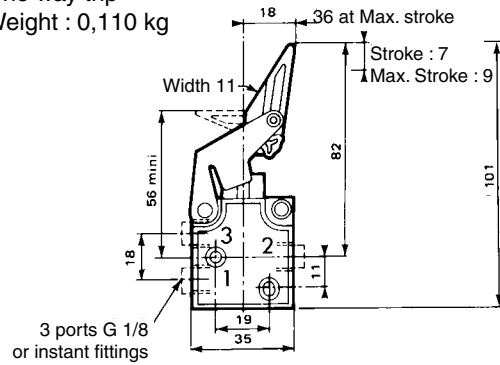
Valve alone  
Weight : 1,100 kg



Lever roller  
Weight : 0,110 kg



One way trip  
Weight : 0,110 kg



Lever metal  
Weight : 0,145 kg

