



**FEATURES**

- Reliability: long service life of 30 million cycles
- Choice of internal/external supply with selector seals (vacuum use to -0,950 bar)
- Modular assembly with joinable subbases
- Subbases with side or bottom ports

**GENERAL**

	ISO 1	ISO 2	ISO 3
<b>Fluid</b>	Air or neutral gas, filtered, lubricated or not		
<b>Operating pressure</b>	- 0,950 to +12 bar		
	+3 to +10 bar (with internal differential supply)		
	Can be used with vacuum - 0,950 bar max.		
<b>Pilot pressure</b>	See specifications table		
<b>Ambient temperature</b>	- 10°C to +60°C		
<b>Flow (Qv at 6 bar)</b>	1400 l/min (ANR)	2800 l/min (ANR)	4200 l/min (ANR)
<b>Flow coefficients</b>			
- conforming to ISO 6358			
sonic conductance	C = 5,8 x 10 <sup>-8</sup> m <sup>3</sup> /s.Pa	C = 1,136 x 10 <sup>-7</sup> m <sup>3</sup> /s.Pa	C = 16 x 10 <sup>-8</sup> m <sup>3</sup> /s.Pa
absolute static pressure	b = 0,28	b = 0,22	b = 0,34
- conforming to NF E29312			
(l/min)	Kv = 20	Kv = 37,5	Kv = 60
<b>Life</b>	30 millions of cycles		15 millions of cycles
<b>Base</b>	ISO 5599/1 sizes 1-2-3 - AFNOR NF E49080		
<b>Subbase</b>	Single subbase ISO/AFNOR NF E49085		
	Joinable subbase ISO/VDMA 24345		
	Joinable subbase with integrated functions		



**CONSTRUCTION**

<b>Cover</b>	Painted steel
<b>Pilot and return assembly</b>	POM (polyacetal)
<b>Seals</b>	NBR (nitrile) and PUR (polyurethane)
<b>Internal parts</b>	POM (polyacetal), light alloy

**SPECIFICATIONS**

function symbol	operators		size	pilot pressure (bar)		catalogue number
	pilot (14)	return (12)		min.	max.	
	air operated	spring	ISO 1 ISO 2 ISO 3	3	12	54101017 54202017 54301017
	air operated	differential	ISO 1 ISO 2 ISO 3	3	12	54101018 54202018 54301018
	air operated	air	ISO 1 ISO 2 ISO 3	1,5	12	54101019 54202019 54301019
	air operated pressure held <b>W1</b>		ISO 1 ISO 2 ISO 3	3	12	54101020 54202020 54301020
	air operated pressure applied <b>W2</b>		ISO 1 ISO 2 ISO 3	3	12	54101022 54202022 54301022
	air operated pressure release <b>W3</b>		ISO 1 ISO 2 ISO 3	3	12	54101021 54202021 54301021

**OPTIONS**

- Equipment with manual testers so that the spool position can be checked
- Equipment for use in potentially **explosive atmospheres** caused by dusts or gases (ATEX Directive 94/9/EC)

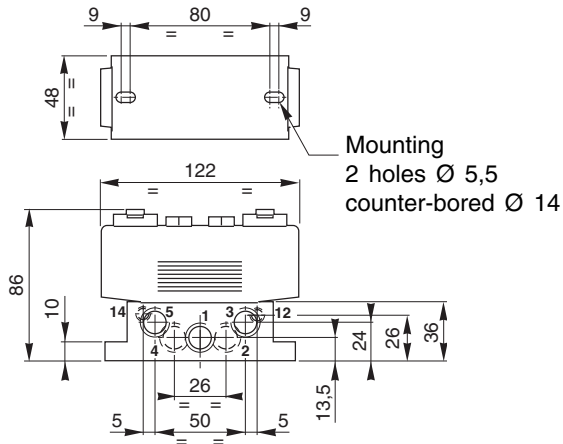
zones	classification	ATEX option catalogue number		
		ISO 1	ISO 2	ISO 3
2-22	II3GD c T 60°C T 85°C (T6)	612027	-	612029
1-21	II2GD c IIC T 60°C T 85°C (T6)	612030	612090	612032

**SUBBASES AND ACCESSORIES** : see pages P570-9 and 22

00391GB-2008/R02 Availability, design and specifications are subject to change without notice. All rights reserved.

### DIMENSIONS (mm), WEIGHT (kg)

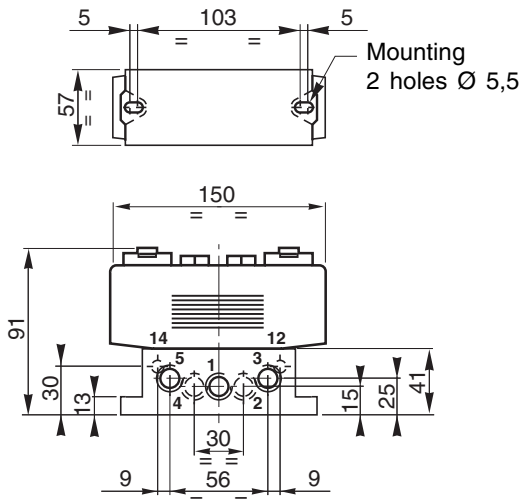
#### VALVES ON SINGLE SUBBASES Side port - ISO 1



subbase catalogue number	port orifices		
	12-14	1-2-4	3-5
35500076	G 1/8	G 1/4	G 1/4
35500061			G 3/8
35500382		G 3/8	G 3/8

Total weight : 0,880

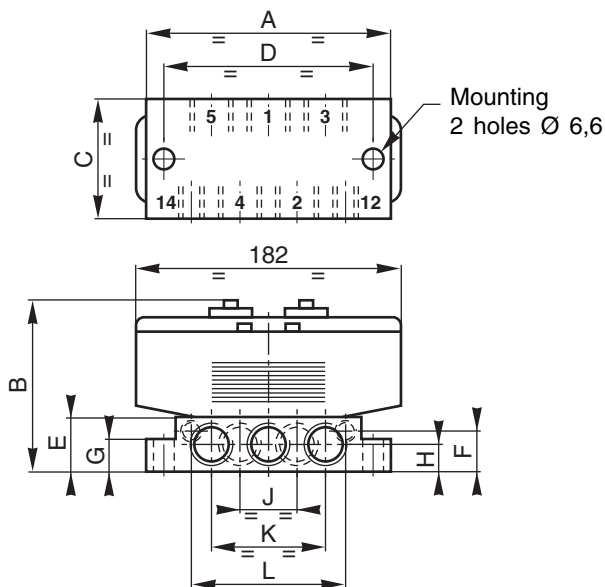
#### VALVES ON SINGLE SUBBASES Side port - ISO 2



subbase catalogue number	port orifices		
	12-14	1-2-4	3-5
35500560	G 1/8	G 3/8	G 3/8
35500562		G 1/2	G 1/2

Total weight : 1,200

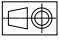
#### VALVES ON SINGLE SUBBASES Side port - ISO 3



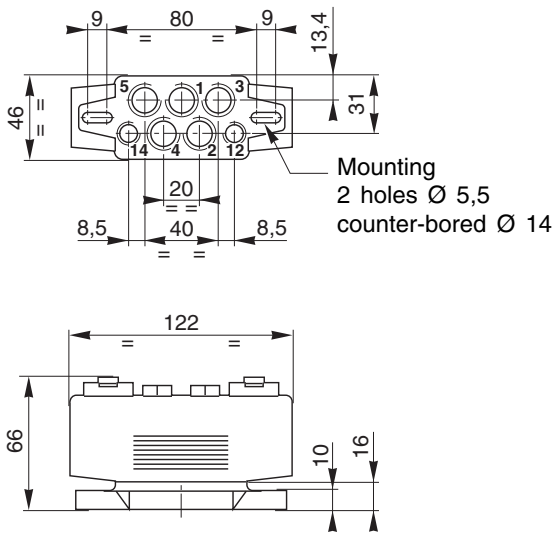
subbase catalogue number	port orifices		
	12-14	1-2-4	3-5
35500171	G 1/8	G 1/2	G 1/2
35500192		G 3/4	G 3/4

Total weight : 1,400

dimension	subbase	
	G 1/2	G 3/4
A	149	149
B	99	117
C	71	71
D	136	136
E	32	50
F	22	40
G	18	18
H	17	20
J	32	36
K	68	80
L	90	92

**DIMENSIONS (mm), WEIGHT (kg)** 

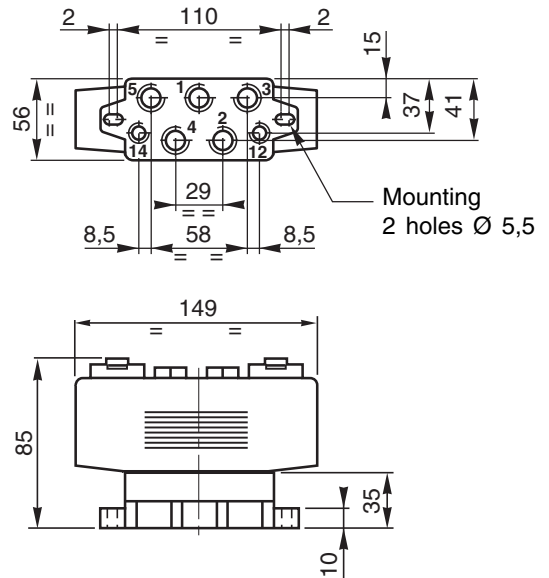
**VALVES ON SINGLE SUBBASES**  
**Bottom port - ISO 1**



subbase catalogue number	port orifices		
	12-14	1-2-4	3-5
35500077	G 1/8	G 1/4	G 1/4
35500069	instant fittings		G 1/4
	Ø 4 OD	Ø 8 OD	

Total weight : 0,500

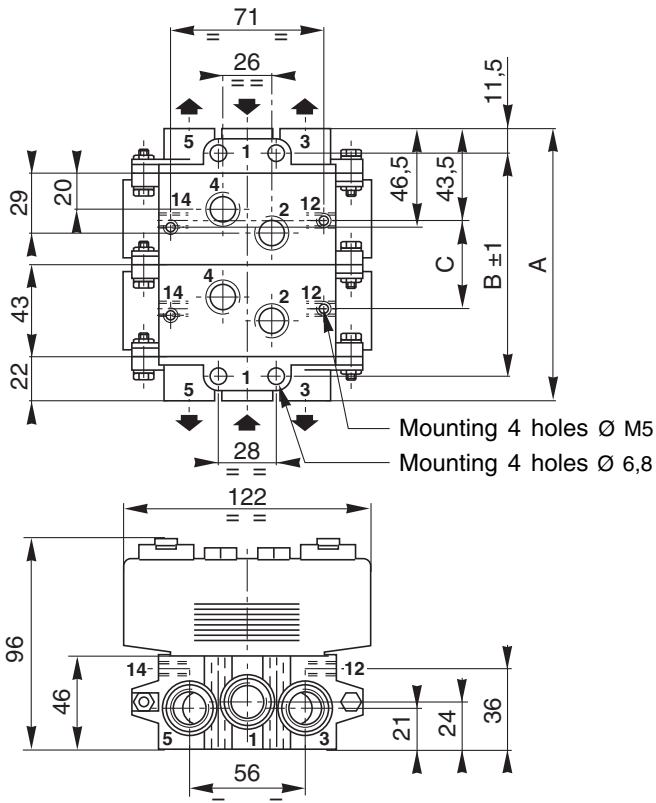
**VALVES ON SINGLE SUBBASES**  
**Bottom port - ISO 2**



subbase catalogue number	port orifices		
	12-14	1-2-4	3-5
35500085	G 1/8	G 3/8	G 3/8

Total weight : 1,150

**SPOOL VALVES ON METALIC JOINABLE SUBBASES**  
**Bottom port - ISO 1**

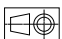


	catalogue number	port orifices		
		12-14	2-4	1-3-5
subbase	35500165	G 1/8	G 1/4	-
2 end plates	35500166	-	-	G 3/8

Set of end plates supplied with 3 plugs G 3/8 (for 1-3-5)

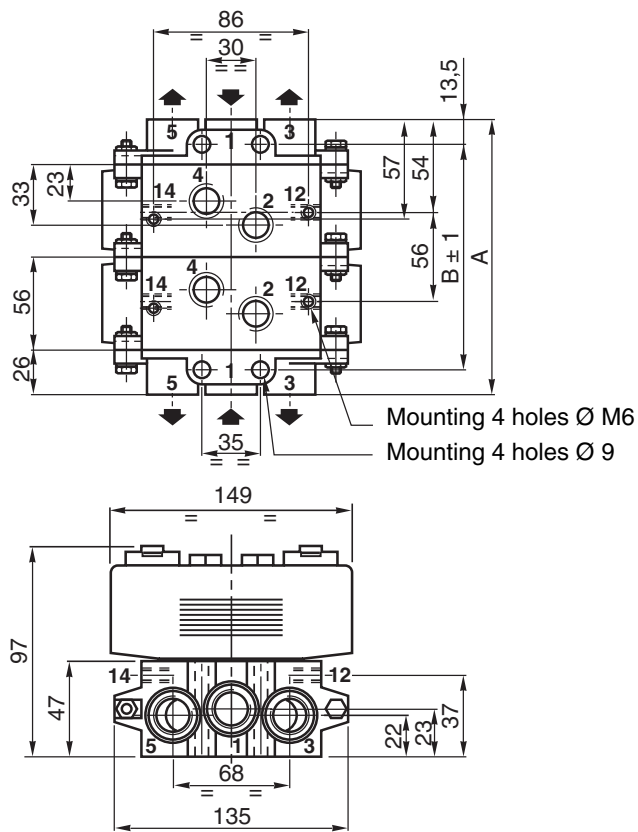
number of subbases	A	B±1	C	weight
3	173	150	86	2,150
4	216	193	129	2,800
5	259	236	172	3,450
6	302	279	215	4,100
7	345	322	258	4,750
8	388	365	301	5,400

Weight : spool valves + subbases + end plates

**DIMENSIONS (mm), WEIGHT (kg)** 

**SPOOL VALVES ON METALIC JOINABLE SUBBASES**

**Bottom port - ISO 2**



	catalogue number	port orifices		
		12-14	2-4	1-3-5
subbase	<b>35500169</b>	G 1/8	G 3/8	-
2 end plates	<b>35500170</b>	-	-	G 1/2

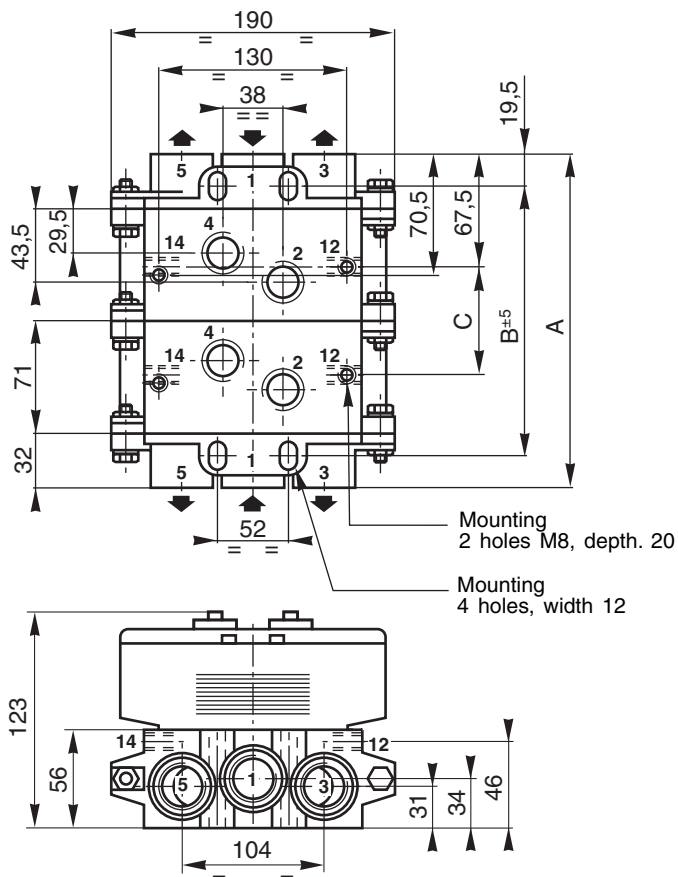
Set of end plates supplied with 3 plugs G 1/2 (for 1-3-5)

number of subbases	A	B±1	weight
3	220	193	4,500
4	276	249	6,100
5	332	305	7,700
6	388	361	9,300
7	444	417	9,900
8	500	473	10,500

Weight : spool valves + subbases + end plates

**SPOOL VALVES ON METALIC JOINABLE SUBBASES**

**Bottom port - ISO 3**



	catalogue number	port orifices		
		12-14	2-4	1-3-5
subbase	<b>35500173</b>	G 1/8	G 1/2	-
2 end plates	<b>35500174</b>	-	-	G 1

Set of end plates supplied with 3 plugs G 1 (for 1-3-5)

number of subbases	A	B±1	C	weight
2	206	167	71	3,900
3	277	238	142	5,500
4	348	309	213	7,100
5	419	380	284	8,700
6	490	451	355	10,300
7	561	522	426	11,900

Weight : spool valves + subbases + end plates