

FEATURES

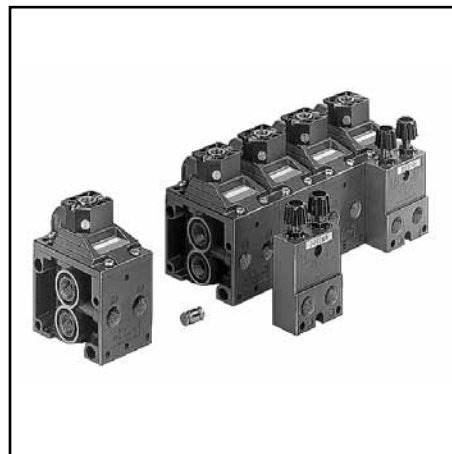
- Unit can be mounted individually or joined together by using diabolos with sunken locking screws

GENERAL

Fluid	Air or neutral gas, filtered, lubricated or not
Operating pressure	2 to 10 bar
Pilot pressure	The pilot pressure must be equal or superior to the pressure in the valve
Ambient temperature	-10°C to +60°C
Flow (Qv at 6 bar)	See "specifications"

CONSTRUCTION

Body	Zinc diecast
Poppet	Aluminium
Seals	NBR (nitrile)

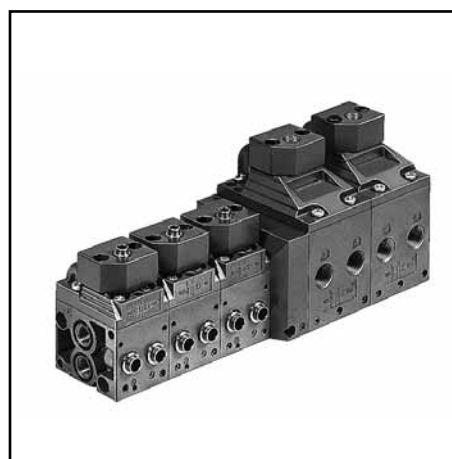
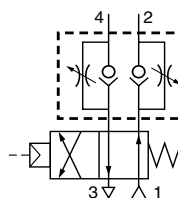


SPECIFICATIONS

symbol	pipe size	orifice size (mm)	flow		fluid pressure (bar)		2 catalogue numbers	
			at 6 bar l/min (ANR)	Kv coefficient	min.	max.	valve	+ air pilot
	ports 2-4 with instant fittings ports 1-3: G1/8	3	210	3	2	10	26390005	88126404
	tapped G1/8	3	210	3	2	10	26390002	88126401
	tapped G1/4	6	840	12	2	10	26490026	88126401

ACCESSORIES

- Unit consisting of 2 flow regulators, joinable
 - for valve 263 (instant fittings \varnothing 6 mm) - cat. no.: **34600211**
 - for valve 263 (G 1/8) - cat. no.: **34600209**
 - for valve 264 (G 1/4) - cat. no.: **34600109**
- Transfer unit for association of valves series 263 and 264, allowing communication of pressure feed (1) and exhaust (3) ports (18 mm thick). - cat. no.: **88126303**
- Power supply unit separate from main pressure
 - for valve 263 (G 1/8) - cat. no.: **88126301**
- The valves series 263 can be mounted on EN 50022 - AFNOR NF C63015 rail using mounting clips. - 10 clips - cat. no.: **33400036**



OPTIONS

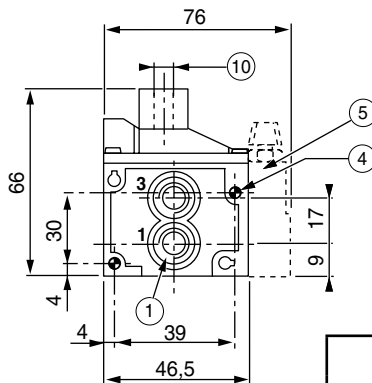
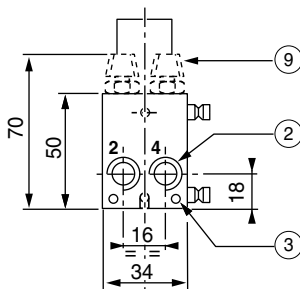
- Equipment for use in potentially **explosive atmospheres** caused by dusts or gases (ATEX Directive 94/9/EC)

zones	classification	ATEX option catalogue number
2-22	II 3GD c Ta 60°C T 85°C (T6)	612033
1-21	II 2GD c Ta 60°C T 85°C (T6)	612034

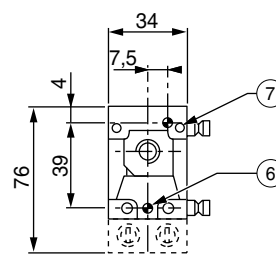
DIMENSIONS (mm), WEIGHT (kg)

VALVE 263

weight: 0,330 kg

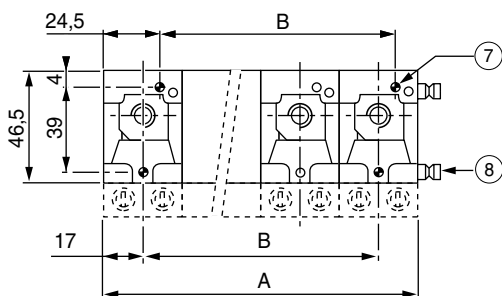


view from above



Joinable valves

view from above



	number of valves							
	2	3	4	5	6	7	8	+ 1
A	68	102	136	170	204	238	272	+ 34
B	34	68	102	136	170	204	238	+ 34

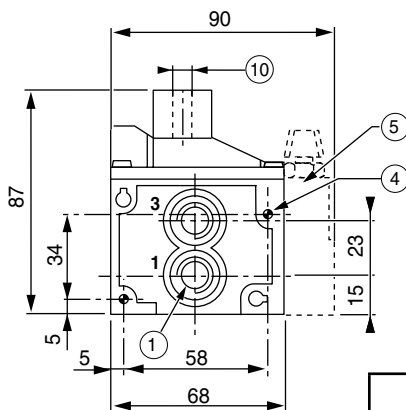
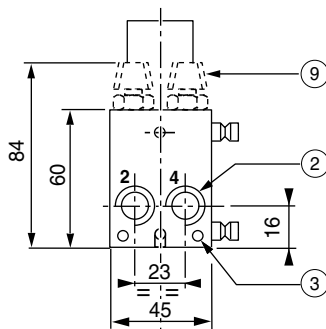
① 4 ports G 1/8

Valve supplied with 1 plug on orifices 1 and 3 seal joints

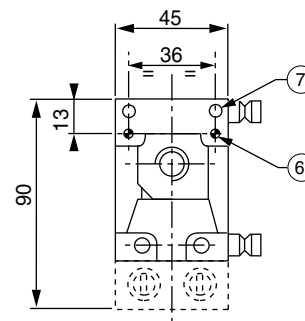
- ② 2 ports G 1/8 or instant fittings Ø 6 OD
- ③ 2 grub screws for joining spindles
- ④ 2 screws for side mounting Ø 4,2 x 34
- ⑤ Accessory : Flow regulator
- ⑥ Top mounting 2 holes Ø 4,2 x 50
- ⑦ 2 grub screws for joining spindles
- ⑧ Joining spindles
- ⑨ Flow rate adjustment buttons
- ⑩ G 1/8 or instant fittings Ø 4 OD

VALVE 264

weight: 0,980 kg

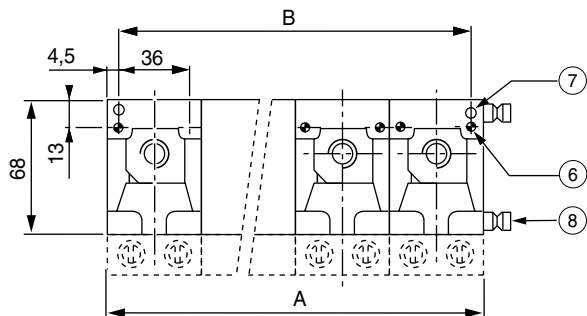


view from above



Joinable valves

view from above



	number of valves							
	2	3	4	5	6	7	8	+ 1
A	90	135	180	225	270	315	360	+ 45
B	81	126	171	216	261	306	351	+ 45

① 4 ports G 1/4

Valve supplied with 1 plug on orifices 1 and 3 seal joints

- ② 2 ports G 1/4
- ③ 2 grub screws for joining spindles
- ④ 2 screws for side mounting Ø 5,5 x 45
- ⑤ Accessory : Flow rate regulator
- ⑥ Top mounting 2 holes Ø 5,5 x 60
- ⑦ 2 grub screws for joining spindles
- ⑧ Joining spindles
- ⑨ Flow rate adjustment buttons
- ⑩ G 1/8