

### FEATURES

- Compact design and low weight enabling easy installation on all series 298 & 398 valves with dia. 150 & 200 mm operators
- Standard manual operator allows for easy installation and maintenance
- AC/DC interchangeability of the solenoid without disassembling the valve
- The solenoid valves satisfy all relevant EC directives

### GENERAL

**Max. pilot pressure** 0 to 10 bar [1 bar = 100 kPa]  
**Maximum viscosity** 40 cSt (mm<sup>2</sup>/s)

fluids (*)	temperature range (TS)	seal materials (*)
filtered air and water	- 10°C to + 80°C	NBR (nitrile)

### MATERIALS IN CONTACT WITH FLUID

(\*) Ensure that the compatibility of the fluids in contact with the materials is verified

	Pilot 374	Pilot 356
<b>Body</b>	Brass or st. steel AISI 316L	Brass or st. steel AISI 316
<b>Core tube</b>	Stainless steel	Stainless steel
<b>Core and plugnut</b>	Stainless steel	Stainless steel
<b>Springs</b>	Stainless steel	Stainless steel
<b>Seats</b>	Brass	Brass
<b>Seals</b>	NBR	FPM
<b>Shading coil</b>	Copper	Copper

### ELECTRICAL CHARACTERISTICS

**Coil insulation class** F  
**Connector** Spade plug (cable Ø 6-10 mm)  
**Connector specification** ISO 4400 / EN 175301-803, form A  
**Electrical safety** IEC 335  
**Electrical enclosure protection** Moulded IP65 (EN 60529)  
**Standard voltages** DC (=) : 24V - 48V  
(Other voltages and 60 Hz on request) AC (~) : 24V - 48V - 115V - 230V / 50 Hz

prefix option	power ratings				operator ambient temperature range (TS) (C°)	replacement coil		type <sup>(1)</sup>
	inrush ~	holding ~	hot/cold =			~	=	
	(VA)	(VA)	(W)	(W)		230 V/50 Hz	24 V DC	
SC	55	23	10,5	9 / 11,2	-10 to + 60	400425-117	400425-142	01
	10,4	6	3,5	5 / 7	-10 to + 60	43005539	43005533	02

<sup>(1)</sup> Refer to the dimensional drawings on the following page.

### SPECIFICATIONS

pipe size	orifice size		flow coefficient Kv				min. <sup>(3)</sup>	operating pressure differential (bar)				power coil (W)		catalogue number	
	2→1	1→3	2→1		1→3			max. (PS)		with maintained manual operator					
	(mm)	(mm)	(m <sup>3</sup> /h)	(l/min)	(m <sup>3</sup> /h)	(l/min)		air (*)	water (*)	brass body	stainless steel body				
G								~	=	~	=	~	=	~/=	~/=
<b>NC - Normally closed, series 374</b>															
1/4	2,7	2,5	0,22	3,6	0,15	2,5	0	10	10	10	10	10,5	11,2	SCE374A099MS <sup>(2)</sup>	SCE374A086MS <sup>(2)</sup>
<b>NC - Normally closed, series 356</b>															
1/4	1,6	1,2	0,08	1,33	0,05	0,8	0	10	10	10	10	3,5	7	SCG356A469VMS <sup>(2)</sup>	SCG356A474VMS <sup>(2)</sup>

<sup>(2)</sup> Solenoid valve with 1/4 adapter.

<sup>(3)</sup> Refer to leaflets on series 298/398 valves which show the minimum pilot pressure for each version of the product.



D

### OPTIONS

- Explosionproof enclosures for use in zones 1/21-2/22, categories 2-3 to ATEX Directive 94/9/EC (see "Explosionproof solenoids" section)
- 374 pilot: Class H coil, max. ambient temperature +90°C prefix HT, example: SCHTE374A099MS
- flow control device to fit port 3 (to increase air-operated pilot depressurization time):  
M5, catalogue number: **34600380** / 1/8, catalogue number: **34600107**
- Plug with visual indication and peak voltage suppression or with cable length of 2 m (see Solenoids, Coils & Accessories section)

### INSTALLATION

- The solenoid valves can be mounted in any position without affecting operation
- Pipe connection 1/4 (G\*) has standard combination thread according to ISO 228/1 and ISO 7/1. Pipe connection G 1/8 or G 1/4 has standard thread according to ISO 228/1
- Installation/maintenance instructions are included with each valve

### SPARE PARTS KITS

catalogue number	spare parts kit no.		
	~	=	maintained manual operator
SCE374A099MS	<b>C140038</b>	<b>C140037</b>	<b>C140048</b>

### ORDERING EXAMPLES / VALVES:

SC	E374A099	MS	230V / 50 Hz
SC	G356A469	VMS	24V / DC
catalogue number _____			_____ voltage

### ORDERING EXAMPLES KITS:

_____	C140037
catalogue number _____	_____

### DIMENSIONS (mm), WEIGHT (kg)



#### TYPE 01

Prefix "SC" Solenoid (Pilot 374)  
Epoxy moulded  
IEC 335 / ISO 4400  
IP65

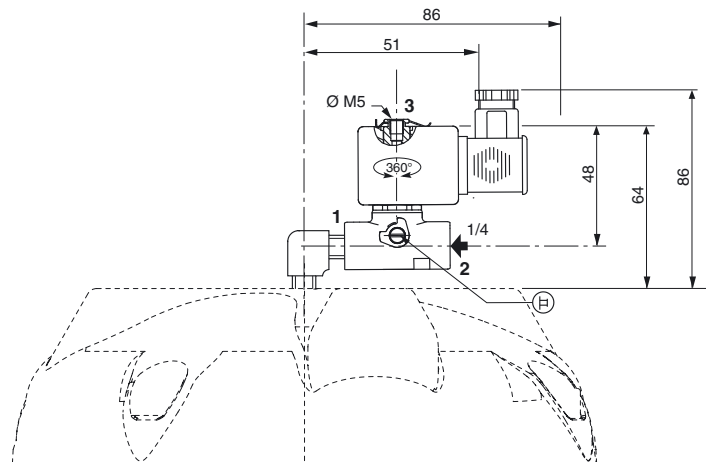
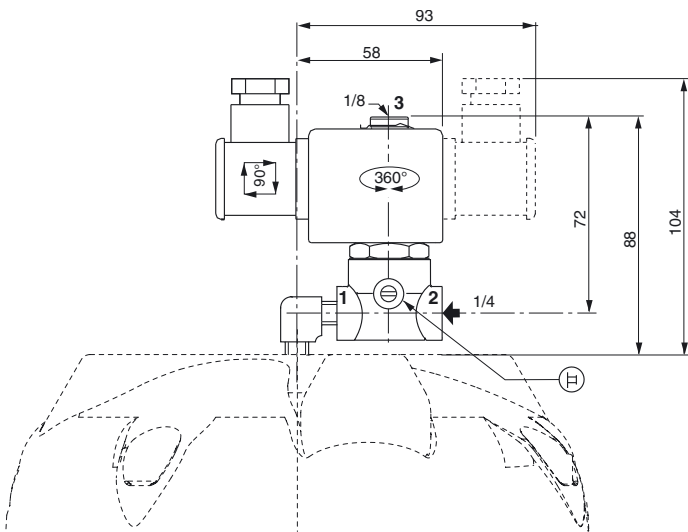
SCE374A099MS - SCE374A086MS



#### TYPE 02

Prefix "SC" Solenoid (Pilot 356)  
IEC 335 / ISO 4400  
IP65

SCG356A469VMS - SCG356A474VMS



Ø 150-200 mm

type	prefix option	pilot	weight <sup>(1)</sup>
01	SC	374 series	0,530
02	SC	356 series	0,253

<sup>(1)</sup> including adapter connection, coil and connector.