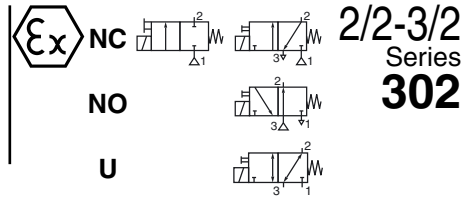




# MINI-SOLENOID VALVES

non-sparking protection  
 II 3G Ex nA II T6..T4, II 3D Ex tD A22 T85°C..T135°C IP65  
 ISO 15218 (CNOMO, size 15) interface  
 direct operated, pad mounting body, connector size 15



## FEATURES

- Mini-low consumption valves for use in potentially explosive atmospheres according to ATEX-Directive 94/9/EC  
 EC type examination certificate no.: **INERIS 10 ATEX 3016X**
- Compliance with the Essential Health and Safety Requirements has been assured by compliance with European Standards EN 60079-0, EN 60079-15, EN 61241-0 and EN 61241-1
- Compact, monobloc solenoid pilot valve with spade-plug connector type DIN 43650, form C with 9,4 mm spacing
- Version without integrated LED and electrical protection
- Universal version for vacuum operation (3/2 way)

## GENERAL

**Differential pressure** See «SPECIFICATIONS» [1 bar = 100 kPa]  
**Pneumatic base** ISO 15218 (CNOMO E06.36.120N, size 15)  
**Connection** Subbase  
**Response time** 8 - 15 ms

fluids (*)	temperature range (TS)	seal materials (*)
air or inert gas filtered at 50 µm, lubricated or not	- 25°C to + 40°C (LP2) <sup>(1)</sup>	NBR (nitrile) FPM (fluoroelastomer)

<sup>(1)</sup> LP2: see "electrical characteristics" table

## MATERIALS IN CONTACT WITH FLUID

(\*) Ensure that the compatibility of the fluids in contact with the materials is verified

**Body** PAA  
**Internal parts** POM, PET, stainless steel and brass  
**Seals** NBR (disc), FPM (others)  
**Pneumatic interface seal** TPE

## OTHER MATERIALS

**Coil** Thermoplastic PET  
**Enclosure with PVC cable** PP (polypropylene) glass-fibre reinforced

## ELECTRICAL CHARACTERISTICS

**Coil insulation class** F **SAFETY CODE**  
 II 3G Ex nA II T6..T4  
 II 3D Ex tD A22 IP65 T 85°C..T 135°C

**Connector** Spade plug (câble longueur 2m)  
**Connector specification** DIN 43650, 9,4 mm, form C  
**Electrical safety** IEC 335  
**Electrical enclosure protection** Moulded IP65 (EN 60529)  
**Standard voltages** DC (=) : 24V  
 AC (-): Contact us  
 (Other voltages on request)

power ranges	volts	power ratings hot/cold = (W)	max. ambient temperature °C <sup>(2)</sup>			type <sup>(4)</sup>
			surface temperature			
			T6 85°C	T5 100°C	T4 135°C	
LP2 <sup>(3)</sup>	24	1 / 1,2	40	55	60	01

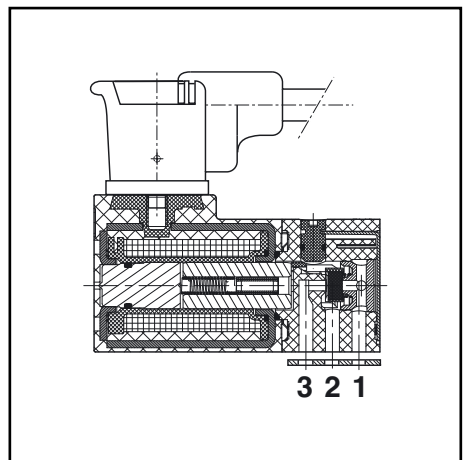
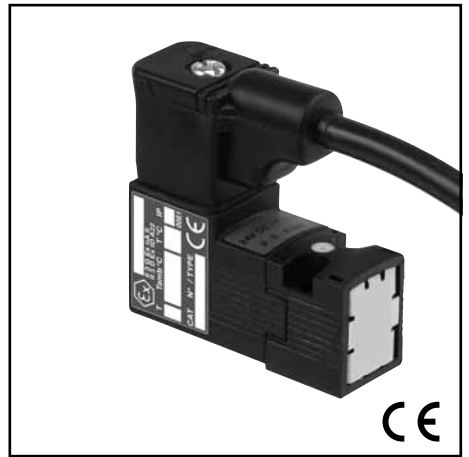
<sup>(4)</sup> Refer to the dimensional drawings on the following page.

## SPECIFICATIONS

orifice size (mm)	flow				operating pressure differential (bar)		power ranges	basic catalogue number			
	at 6 bar l/min (ANR)		coefficient Kv		min.	max. (PS)		manual operator			
	1 → 2	2 → 3	1 → 2	2 → 3				impulse	maintained		
<b>2/2 NC - Normally closed (Without LED and protection)</b>											
1,5	39	-	0,50	-	0	3	LP2	-	30211022NAD	-	30211023NAD
<b>3/2 NC - normally closed (Without LED and protection)</b>											
0,6	11	20	0,11	0,26	0	10	LP2	-	30211109NAD	-	30211110NAD
0,8	17	28	0,22	0,35	0	8	LP2	-	30211112NAD	-	30211113NAD
1,1	32	51	0,35	0,50	0	5	LP2	-	30211118NAD	-	30211119NAD
1,5	39	53	0,50	0,56	0	3	LP2	-	30211124NAD	-	30211125NAD
	3 → 2	2 → 1	3 → 2	2 → 1							
<b>3/2 NO - normally open (Without LED and protection)</b>											
0,8	20	17	0,26	0,20	0	8	LP2	-	30211130NAD	-	-
1	28	32	0,35	0,35	0	5	LP2	-	30211136NAD	-	-
1,5	53	39	0,56	0,50	0	2	LP2	-	30211142NAD	-	-
	1 ↔ 2	2 ↔ 3	1 ↔ 2	2 ↔ 3							
<b>3/2 U - universal (Without LED and protection)</b>											
0,8	17	20	0,20	0,26	0	6	LP2	-	30211148NAD	-	30211149NAD

When ordering, please specify, in addition to the basic catalogue number, the type of current: voltage

Examples: 24V DC: **30211009NAD** 24V DC



For versions with LED indicator and electrical protection:  
 Contact us  
<sup>(2)</sup> The minimum allowable ambient temperature is -25°C. Actual temperature range can be limited depending on valve operation limits.  
<sup>(3)</sup> Voltage: -15% / +20%

### OPTIONS AND ACCESSORIES

- Seals and disc made of FPM (fluoroelastomer)
- Version without manual operator
- Version with pneumatic-electric interface

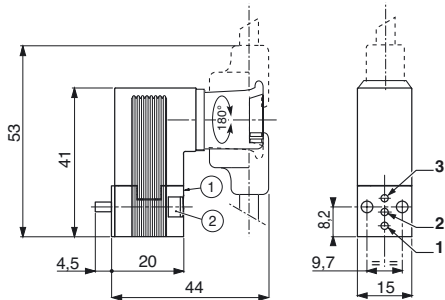
### INSTALLATION

- The solenoid valves can be mounted in any position without affecting operation
- **Pre-wired connector, supplied and certified with the product (DIN 43650, 9,4 mm, form C, with 2 m cable length). For connection, only use the connector supplied with the product**
- Solenoid valve supplied with mounting screws and mounting pad seal(s)
- Installation/maintenance instructions are included with each valve

### DIMENSIONS (mm), WEIGHT (kg)



**TYPE 01**  
IEC 335 / DIN 43650  
IP65

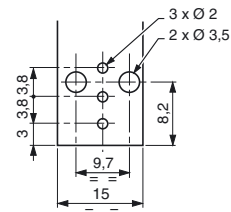


- ① Manual operator location
- ② 2 mounting screw M3 x 20

function	connection			
	1	2	3	
<b>2/2 way</b>				
	NC	P	U	-
<b>3/2 way</b>				
universal	NC	P	U	E
	NO	E	U	P
	MIX	P2	U	P1
	SEL	U 2	P	U 1

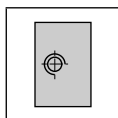
P: Pressure U: Outlet  
E: Exhaust

Subbase mounting surface: ISO 15218  
(CNOMO E06.36.120N, size 15)

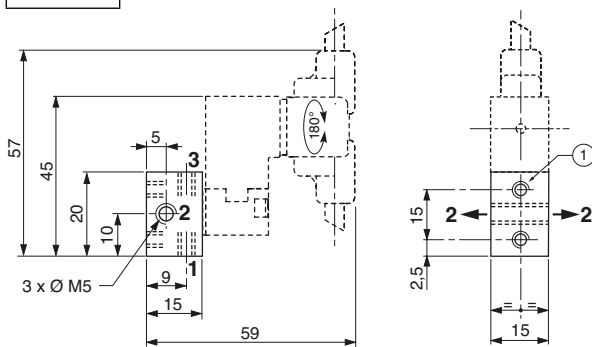


weight <sup>(1)</sup>
0,14

<sup>(1)</sup> with connector.



**Single subbase**  
Aluminium or brass

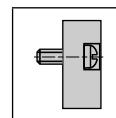


- ① Mounting: 2 holes M3, depth 4,5

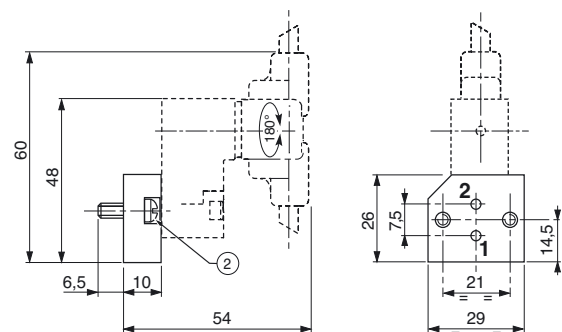
Orifice (2) can be connected on the left or on the right of the subbase.

material	catalogue number	weight <sup>(1)</sup>
aluminium	88263002	0,011
brass	30300001	0,034

<sup>(1)</sup> subbase alone



**Adapter CNOMO size 30**  
(only for NC version)  
Aluminium



- ② Mounting: 2 screws M4 x 10 (supplied)

catalogue number	weight <sup>(2)</sup>
88263001	0,018

<sup>(2)</sup> adapter alone