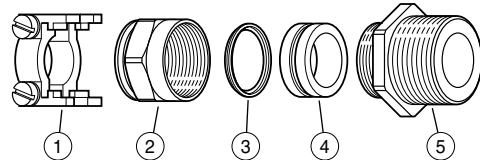


FEATURES

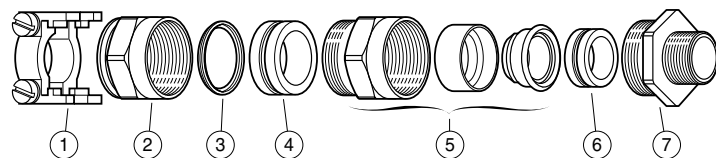
- Explosionproof material intended for use in potentially explosive atmospheres according to ATEX-Directive 94/9/EC.
 EC type-examination certificates: **LCIE 97 ATEX 6008 X**
 IECEx Certificate of Conformity no.: **IECEx LCI 05.0004X**
- Compliance with the Essential Health and Safety Requirements has been assured by compliance with the International and European Standards EN-IEC 60079-0, EN-IEC 60079-1, EN-IEC 61241-0 and EN-IEC 61241-1
- Cable glands for armoured and unarmoured cables can be fitted to Ex d operators

GENERAL

	1/2 NPT	3/4 NPT
Protection, unarmoured cable	IP68 (10 bar), on outer sheath	IP68 (10 bar), on outer sheath
Protection, armoured cable	IP68 (10 bar), on outer/inner sheath	IP68 (10 bar), on outer/inner sheath
Unarmoured cable	0 to 1,25 mm armour O.D. 6 to 12 mm O.D. 12 to 20,5 mm	- O.D. 8,5 to 16 mm -
Armoured cable	O.D. 8,5 to 16 mm I.D. 6 to 12 mm	O.D. 12 to 21 mm I.D. 8,5 to 16 mm



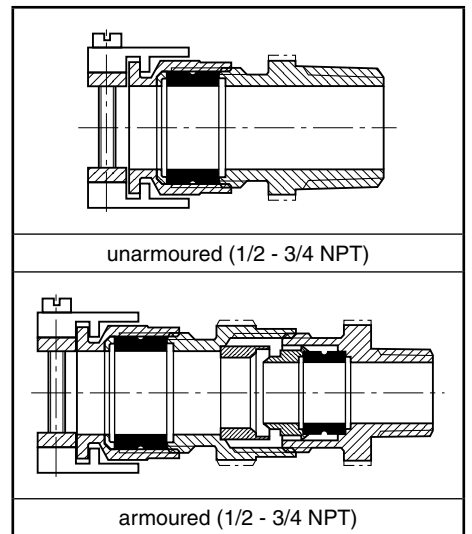
- ① cable clamp ③ backup ring ⑤ adapter (1/2 or 3/4 NPT)
 ② nut ④ grommet



- ① cable clamp ④ grommet (internal sealing) ⑦ adapter (1/2 or 3/4 NPT)
 ② nut ⑤ armour clamp
 ③ backup ring ⑥ grommet (external sealing)

1/2 - 3/4 NPT,
for unarmoured cable

1/2 - 3/4 NPT,
for armoured cable



CONSTRUCTION

Adapter	Nickel-plated brass
Grommet	NBR
Breaker piece	Stainless steel

SAFETY CODE

Ex II 2 G Ex d IIC
 II 2 D Ex tD IP68

SPECIFICATIONS

pipe size	cable		type	catalogue number	
	outer diameter (mm)	inner diameter (mm)		unarmoured cable	armoured cable
1/2 NPT and 3/4 NPT versions					
1/2 NPT	-	6 to 12	01	88200011	-
	6 to 12	8,5 to 16	02	-	88200014
3/4 NPT	-	8,5 to 16	01	88200007	-
	12 to 21	8,5 to 16	02	-	88200013

ACCESSORIES

- 3/4 NPT to 1/2 NPT reducer, catalogue number: **88200012**
- Other cable glands on request

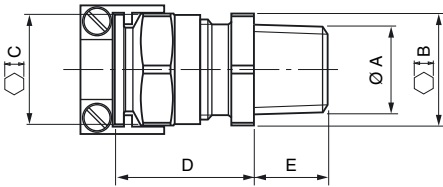
INSTALLATION

- The cable gland can be supplied pre-installed on Ex d enclosure

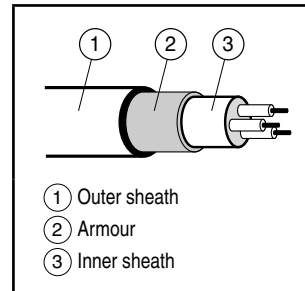
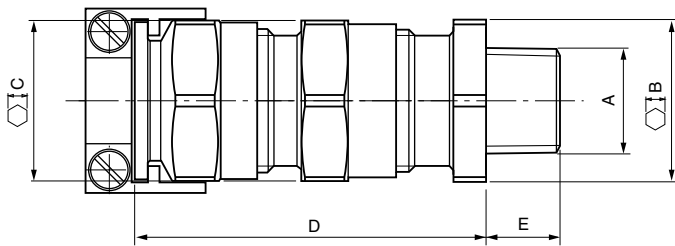
DIMENSIONS (mm), WEIGHT (kg)



TYPE 01
1/2 - 3/4 NPT
unarmoured cable
IP68



TYPE 02
1/2 - 3/4 NPT
armoured cable
IP68



type	Ø A	B	C	D	E	weight
01	1/2 NPT	24	19	30	16	0,04
	3/4 NPT ⁽¹⁾	30	24	33	16	0,055
	3/4 NPT ⁽²⁾	30	30	35	16	0,07
02	1/2 NPT	24	24	50	16	0,09
	3/4 NPT	30	30	54	16	0,17

⁽¹⁾ Catalogue number 88200007.

⁽²⁾ Catalogue number 88200010.