

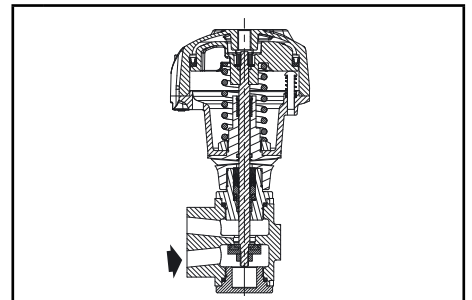
FEATURES

- Compact 2/2 NC-NO disc valve, stainless steel body, pad-mounting body
- Ruggedly built, particularly recommended for:
 - use with superheated water and steam, up to max. 250°C
 - high ambient temperatures, up to 180°C
 - use in corrosive environments
- Valve equipped with a piston operator
- Allowable backpressure 20 bar⁽¹⁾
- Optical position indicator as standard
- Reliable operation at low pilot pressures
- High-performance, maintenance-free stuffing box
- The valves satisfy Pressure Equipment Directive 97/23/EC, article 3.3

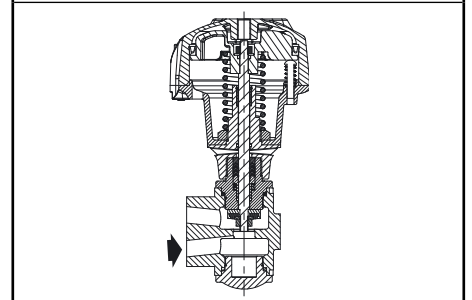
GENERAL

fluids (*)	temperature range	disc seal (*)
DN ≤ 20: air and gas groups 1 & 2 DN = 32: air and gas group 2 all DN: superheated water, liquids groups 1 & 2 and steam	- 10°C to + 250°C	PTFE

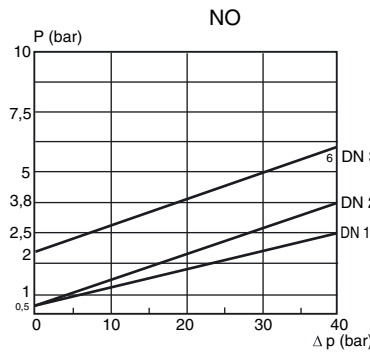
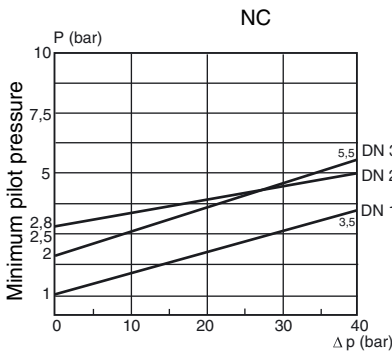
Differential pressure 0 to 40 bar [1 bar = 100 kPa]
Maximum allowable pressure 40 bar (within the specified limits, see diagram I)
Ambient temperature range -30°C to +180°C
Maximum viscosity 600 cSt (mm²/s)
Pilot fluid Air
Max. pilot pressure 10 bar
Min. pilot pressure See below



NC function



NO function



MATERIALS IN CONTACT WITH FLUID

(*) Ensure that the compatibility of the fluids in contact with the materials is verified

Valve body and plug	Stainless steel
Stuffing box housing	Stainless steel
Stem, disc	Stainless steel
Stuffing box packing	PTFE chevrons
Disc seal	PTFE
Valve body seal	PTFE

OTHER MATERIALS

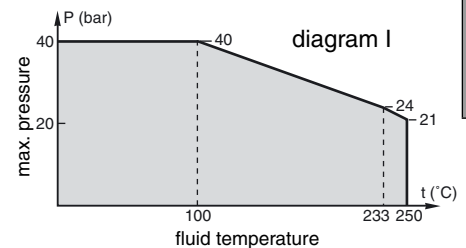
Operator	Aluminium and steel
Optical position indicator	Aluminium and steel

SPECIFICATIONS

pipe size	DN	flow coefficient Kv		maximum allowable pressure (bar)	pilot pressure (bar)		operator diameter (mm)	catalogue number	
		(m ³ /h)	(l/min)		min.	max.		pilot connection 1/8	
								G	NPT
NC - Normally closed									
pad mounting	10	2,4	40	40	*	10	80	R298A608	R298A628
	20	7,44	124	40	*	10	100	R298A609	R298A629
	32	16,08	268	40	*	10	100	R298A644	R298A664
NO - Normally open									
pad mounting	10	1,98	33	40	*	10	80	R298A604	R298A624
	20	6,72	112	40	*	10	100	R298A643	R298A663
	32	16,08	268	40	*	10	100	R298A645	R298A665

* Minimum pilot pressure varies with differential pressure. See piloting chart above.

⁽¹⁾ Allowable max. back pressure 20 bar, see page 2 ("INSTALLATION").



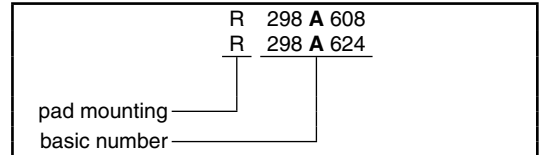
INSTALLATION

- The valves can be mounted in any position without affecting operation
- In normal use: fluid entry under the disc (for fluid entry above the disc, contact us)
- Mounting on single stainless steel subbase, max. temperature 215°C, (with PTFE seals and 2 mounting screws):
 G 1/2 (for DN 10), catalogue number **35300192**; G 1 (for DN 20), catalogue number **35300193**;
 G 1 1/4 (for DN 32), catalogue number **35300194**; G 1 1/2 (for DN 32), catalogue number **35300196**
- Pipe connections (G*) have standard combination thread according to ISO 228/1 and ISO 7/1
- Valves have 2 mounting holes in the body

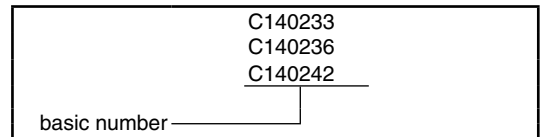
SPARE PARTS KITS

catalogue number	spare parts kit no.		
	piston seal	actuator spring	stem, disc, seals
R298A608/A628	C140233	C140236	C140242
R298A609/A629	C140234	C140238	C140244
R298A644/A664	C140234	C140240	C140246
R298A604/A624	C140233	C140237	C140243
R298A643/A663	C140234	C140239	C140245
R298A645/A665	C140234	C140241	C140247

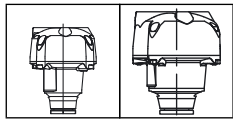
ORDERING EXAMPLES:



ORDERING EXAMPLES KITS:



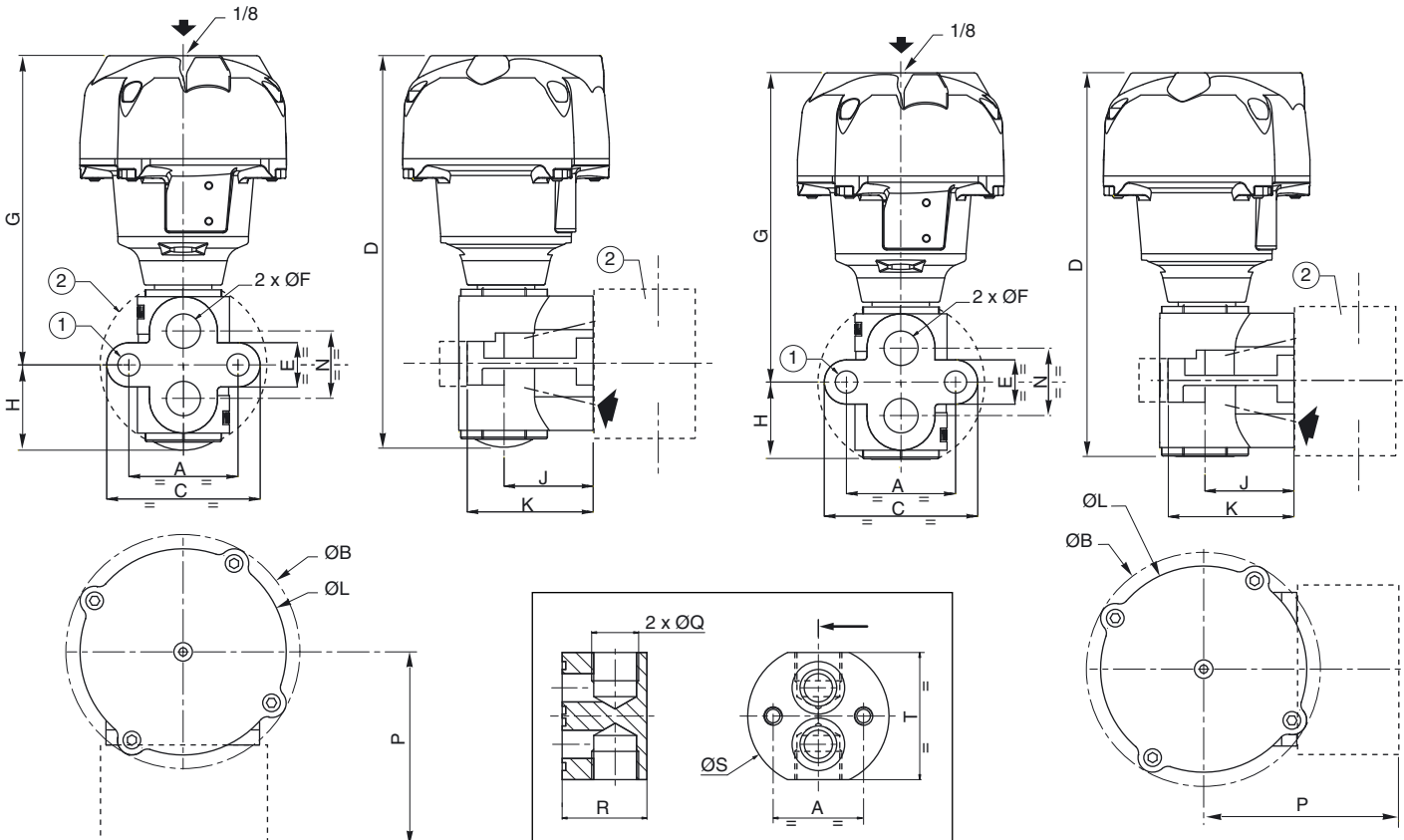
DIMENSIONS (mm), WEIGHT (kg)



TYPE 01-02
Prefix "R"

NO, normally open

NC, normally closed



① 2 mounting holes ØM

② Threaded subbases (2 screws and seals supplied)

	type	DN	operator diameter	catalogue number	A	ØB	C	D	E	ØF	G	H	J	K	ØL	ØM	N	P	ØQ (G*)	R	ØS	T	weight
NC	01	10	80	R298A608/A628	58	110	84	192,6	26	12	155,6	37	42	68,5	95	13	25	87	1/2	45	80	70	2
	02	20	100	R298A609/A629	64	132	90	221,9	26	20	176,9	45	53	80	117	13	40	113	1	60	100	90	3,5
	02	32	100	R298A644/A664	90	132	122	273	32	32	207	66	69	102,5	117	17	50		1 1/4-1 1/2	60	150	130	7,5
NO	01	10	80	R298A604/A624	58	110	84	197,6	26	12	155,6	42	42	68,5	95	13	25	87	1/2	45	80	70	2
	02	20	100	R298A643/A663	64	132	90	226,9	26	20	176,9	50	53	80	117	13	40	113	1	60	100	90	3,5
	02	32	100	R298A645/A665	90	132	122	278	32	32	207	71	69	102,5	117	17	50		1 1/4-1 1/2	60	150	130	7,5