

FEATURES

- Remote-controlled disc valve for superheated water and steam at temperatures up to 184°C
- High flow due to angled seat design
- Equipped with a piston-type operator
- Anti-waterhammer design (fluid entry under the disc)
- Wide range of operators (32, 50, 63, 90 and 125 mm) for maximum performance at different minimum pilot pressures
- Operator rotatable by 360°
- High-performance, maintenance-free stuffing box
- Optical position indicator
- Proportional valves (see "Proportional valves" section)

GENERAL

Differential pressure: [1 bar = 100 kPa]
 Steam 0 to 10 bar
 Superheated water 0 to 16 bar
Maximum allowable pressure 16 bar

fluids	max. temperature (TS)	seal materials
steam, superheated water	+ 184°C	PTFE

2/2 CONSTRUCTION

Body

Connection:

Threaded
 Clamp
 Butt welding
 External threads
 External threads DIN 11851

Flanges (PN16)

See catalogue page:

Threaded
 Clamp
 Butt welding
 External threads
 External threads DIN 11851
 Flanges

Bronze body

Bronze

1/2 to 2 1/2 (type 01)
 -
 -
 -
 -
 -
 DN 25 to 50 (type 03)

V410
 -
 -
 -
 -
 V431

Stainless steel body

Stainless steel ⁽¹⁾

3/8 to 2 1/2 (type 02)
 DN 10 to 65 (type 04)
 DN 10 to 65 (type 05)
 1/2 to 1 (type 06)
 DN 10 to 20 (type 07)
 (RD 28x1/8 .. RD 44x1/6)
 -

V410/V438
 V420
 V420
 V412
 V414
 -

3/2 CONSTRUCTION

Body

Connection:

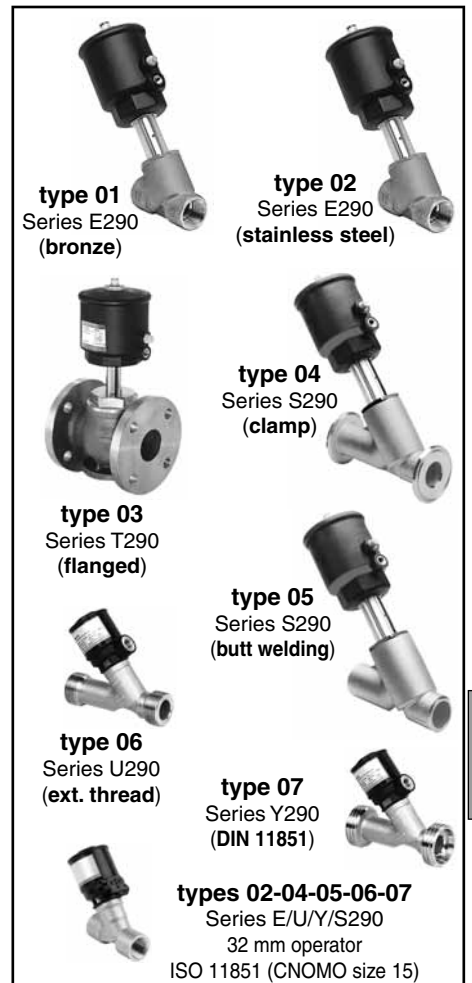
Threaded
See catalogue page:

Bronze body

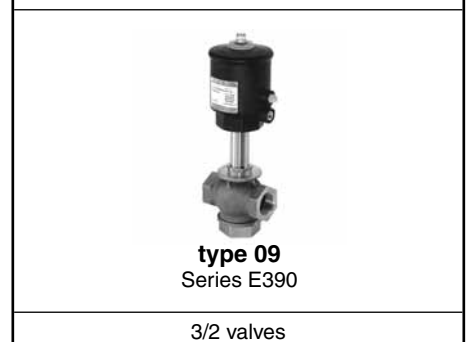
Bronze

1/2 to 2 (type 09)
 V703

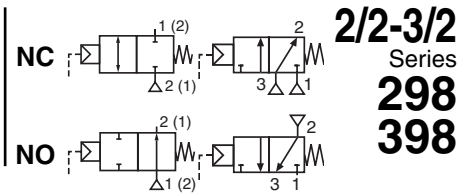
⁽¹⁾ All stainless steel AISI 316L, contact us.



2/2 valves



3/2 valves



2/2-3/2
Series
298
398

FEATURES

- Ruggedly built valve, particularly recommended for use with steam, superheated water and corrosive fluids
- High-performance, thermal shock-resistant, maintenance-free stuffing box
- Pressure can be applied to any port as needed by the process
- 2/2: Anti-waterhammer design (fluid entry at orifice 1), recommended for use with liquids
- 3/2 U: Mixer function (two pressure inlets at 1 and 3, one outlet at 2) and distributor function (one pressure inlet at 2, two outlets at 1 and 3)
- Allowable backpressure: 40 bar
- Optical position indicator as standard
- Autoclavable valve for use at high ambient temperatures up to 180°C

GENERAL

Differential pressure: [1 bar = 100 kPa]

Steam 0 to 24 bar

0 to 32 bar

Superheated water 0 to 21 bar

0 to 40 bar

Max. allowable pressure:

40 bar

fluids	max. temperature (TS)	types
steam	+ 233°C	01-02-03
superheated water	+ 250°C	

2/2 CONSTRUCTION

Body Stainless steel

Connection:

Threaded 1/2 to 2 (type 01)

Flanges DN 15 to 50 (type 02)

(DIN and ANSI Class 300)

Socket welding DN 15 to 50 (type 03)

See catalogue page:

Threaded V451

Flanges V453

Socket welding V455

3/2 CONSTRUCTION

Corps Stainless steel

Connection

Threaded 1/2 to 2 (type 04)

Flanges DN 15 to 50 (type 05)

(DIN et ANSI Class 300)

Socket welding DN 15 to 50 (type 06)

See catalogue page:

Threaded V751

Flanges V753

Socket welding V755



type 01
Series E298

type 02
Series T298



type 03
Series S298

2/2 valves



type 04
Series E398

type 05
Series T398



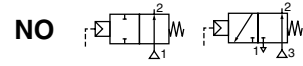
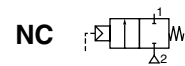
type 06
Series S398

3/2 valves



VALVES

pressure operated
for superheated water and steam applications
1/2 .. 2 / DN 15 .. DN 80



2/2-3/2
Series
165
166
(AD)

FEATURES

- Differential-action valve for high-pressure control at reduced pilot pressure
- Powerful spring and large diaphragm ensuring reliable operation
- Heavy-duty valve recommended for steam applications

GENERAL

Differential pressure: [1 bar = 100 kPa]
Steam 0 to 10 bar (types 01-02-03-04)
Superheated water 0 to 16 bar (type 03)
Max. allowable pressure: 16 bar (types 01-02-04)
25 bar (type 03)

fluids	max. temperature (TS)	types
steam	+ 184°C	01-02-03-04
superheated water	+ 184°C	03

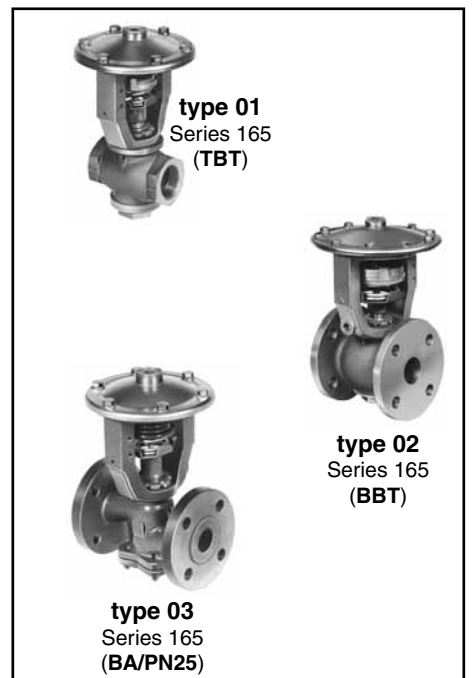


2/2 CONSTRUCTION

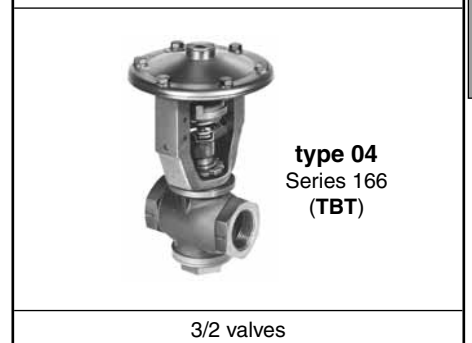
	Bronze body	Steel body
Body	Bronze	Steel
Connection		
Threaded	1/2 to 2 (type 01)	-
Flanges (PN16)	DN 15 to 80 (type 02)	-
Flanges (PN25)	-	DN 15 to 50 (type 03)
See catalogue page:		
Threaded	V473	-
Flanges (PN16)	V474	-
Flanges (PN25)	-	V477

3/2 CONSTRUCTION

	Bronze body
Body	Bronze
Connection	
Threaded	1/2 to 2 (type 04)
See catalogue page:	
Threaded	V773



2/2 valves



3/2 valves

H

