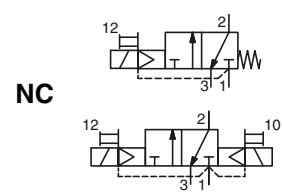




# SOLENOID VALVES

pilot operated, spool type  
single/dual solenoid (mono/bistable function)  
brass body, 1/4



3/2  
Series  
551

## FEATURES

- All the exhaust ports of the spool valve are connectable, providing better environmental protection. Particularly recommended for sensitive areas, such as clean rooms, and applications in the pharmaceutical and food processing sectors
- The valves offer environmental protection against the ingress of liquids, dusts or other foreign matter (environmentally-protected construction)
- Can be externally piloted (external air pilot supply) to convert valve to zero minimum operation by flipping a gasket
- The monostable spool valves have TÜV certified IEC 61508 Functional Safety data and can be used up to SIL 4
- The solenoid valves satisfy all relevant EC directives

## GENERAL

**Differential pressure** 2 - 10 bar [1 bar = 100 kPa]  
**Flow (Qv at 6 bar)** 860 l/min (ANR)

fluids (*)	temperature range (TS)	seal materials (*)
air, inert gas, filtered	- 40°C to + 60°C	VMQ (silicone) + PUR (polyurethane)

## MATERIALS IN CONTACT WITH FLUID

(\*) Ensure that the compatibility of the fluids in contact with the materials is verified

<b>Body, end cover, seats</b>	Brass
<b>Spool valve internal parts</b>	Brass, stainless steel, POM
<b>Core tube</b>	Stainless steel
<b>Core and plugnut</b>	Stainless steel
<b>Core spring</b>	Stainless steel
<b>Top disc</b>	PA
<b>Pilot seals</b>	FPM, NBR
<b>Shading coil</b>	Copper

## OTHERS MATERIALS

**Solenoid enclosure (WP)** Zinc plated steel (epoxy coated)

## ELECTRICAL CHARACTERISTICS

<b>Coil insulation class</b>	F
<b>Connector (SC)</b>	Spade plug (cable Ø 6-10 mm)
<b>Connector specification (SC)</b>	ISO 4400 / EN 175301-803, form A
<b>Coil connection (WP)</b>	Embedded screw terminal (cable ø 7 - 12 mm)
<b>Cable entry (WP)</b>	Cable gland, polyamide (PA), M20x1,5
<b>Electrical safety</b>	IEC 335
<b>Electrical enclosure protection</b>	Moulded IP65 (SC) or IP67 (WP) (EN 60529)
<b>Standard voltages</b>	DC (=): 24V - 48V AC (~): 24V - 48V - 115V - 230V / 50 Hz
(Other voltages and 60 Hz on request)	

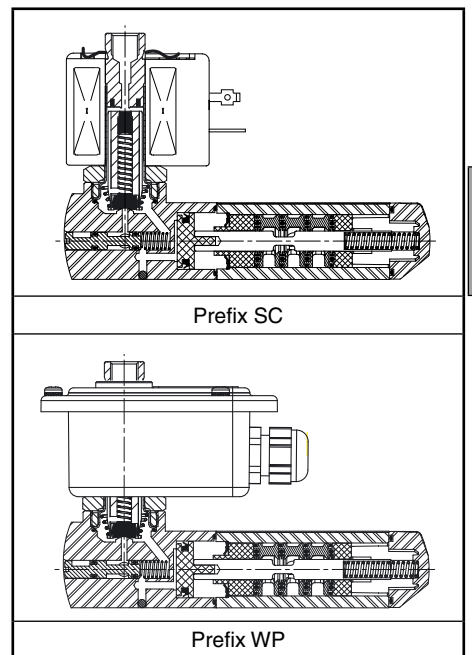
prefix option	power ratings				operator ambient temperature range (TS) (C°)	replacement coil		type <sup>(1)</sup>
	inrush ~ (VA)	holding ~ (W)		hot/cold = (W)		~	=	
		(VA)	(W)					
SC	55	23	10,5	9 / 11,2	-40 to +75	400425-117	400425-142	01
WP	55	23	10,5	9 / 11,2	-40 to +75	400405-117	400405-142	02

<sup>(1)</sup> Refer to the dimensional drawings on the following page.

## SPECIFICATIONS

pipe size	orifice size (mm)	flow coefficient Kv (m³/h) (l/min)		operating pressure differential (bar)				power coil (W)		catalogue number		options	
				min. <sup>(2)</sup>	max. (PS)		(type 01)			(type 02)	impulse / maintained man. operator		
					air (*)	~							=
<b>NC - Normally closed, solenoid air pilot operated - spring return (monostable)</b>													
1/4	6	0,75	12,5	0 / 2	10	10	10,5	11,2	SCG551A407	WPG551A407	MO	-	-
<b>NC - Normally closed, solenoid air pilot operated and return (bistable)</b>													
1/4	6	0,75	12,5	0 / 2	10	10	10,5	11,2	SCG551A408	WPG551A408	MO	-	-
<b>NC - Solenoid air pilot operated - spring return (monostable), certified IEC 61508 Functional Safety data</b>													
1/4	6	0,75	12,5	0 / 2	10	10	10,5	11,2	SCG551A407SL	WPG551A407SL	-	-	-

<sup>(2)</sup> Zero minimum is only achieved if external pressure is applied.



E

00080GB-2011/R01 Availability, design and specifications are subject to change without notice. All rights reserved.

## OPTIONS

- Valves configured for external pilot air supply, use TPL 20547
- Explosionproof enclosures for use in zones 0/20-1/21-2/22, categories 1-2-3 to ATEX Directive 94/9/EC (see "Explosionproof Solenoids" section)
- Compliance with "UL", "CSA" and other local approvals available on request
- Coil insulation class H for max. ambient temperature +80°C, prefix HT ("SCHT" or "WPHT")
- 1/2" NPT (prefix "T") and M20 x 1.5 (prefix "ET") conduits (aluminium or 316 SS) available for steel solenoid enclosure
- Other pipe connections are available on request
- Plug with visual indication and peak voltage suppression or with cable length of 2 m (see Solenoids, Coils & Accessories section)

## INSTALLATION

- The solenoid valves can be mounted in any position without affecting operation
- Do not connect the pressure supply to the exhaust port 3. The "environmentally-protected" construction is not adapted for a "distributing" function or use in NO function. Contact us for functions available in specific versions
- It is necessary to connect pipes or fittings to the exhaust ports to protect the internal parts of the spool valve and its pneumatic operator if used outside or in harsh environments (dusts, liquids etc.)
- IEC 61508 Functional Safety (suffix SL), allowable temperature range: -40°C to +60°C. For probability of failure, contact us
- Threaded pipe connection is standard: G = G (ISO 228/1)
- Prefix "WP" execution: solenoid enclosure has a cable gland with integral strain relief for cables with an O.D. from 7 to 12 mm and is provided with internal and external grounding terminals
- Valves with suffix "SL" are supplied with specific exhaust protectors
- Installation/maintenance instructions are included with each valve

## ACCESSORIES

series	pipe size	exhaust protector (stainless steel)
551	G 1/8	<b>34600418</b> <sup>(1)</sup>
	G 1/4	<b>34600419</b> <sup>(1)</sup>

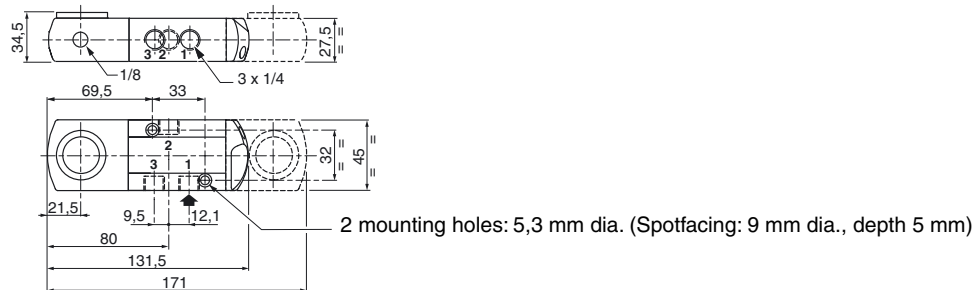
<sup>(1)</sup> Supplied with suffix "SL".

## ORDERING EXAMPLES:

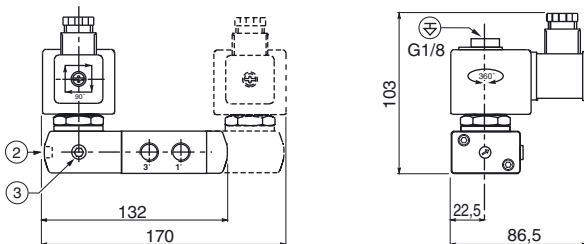
SC	G	551	A	407	230V / 50 Hz
SC	G	551	A	407	SL 230V / 50 Hz
WP	G	551	A	408	24V / 50 Hz
WP	G	551	A	407	MO 115V / 50 Hz
WPHT	G	551	A	408	MO 230V / 50 Hz

prefix ———  
 pipe thread ———  
 basic number ———  
 voltage ———  
 suffix ———

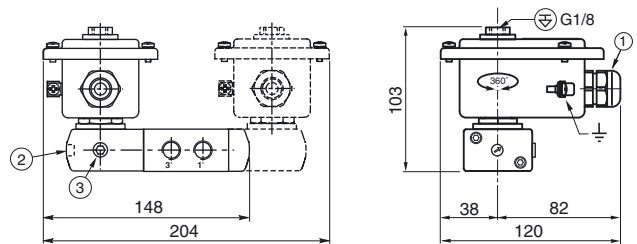
## DIMENSIONS (mm), WEIGHT (kg)



**TYPE 01**  
Prefix "SC" Solenoid  
Epoxy moulded  
IEC 335 / ISO 4400  
IP65



**TYPE 02**  
Prefix "WP" Solenoid  
Metal; epoxy coated  
IEC 335  
IP67



type	prefix option	weight <sup>(1)</sup>	
		monostable	bistable
01	SC	1,44	2,20
02	WP	1,62	2,28

- ① Cable gland for unarmoured cable with 7 to 12 mm dia. sheath
- ② Manual operator location
- ③ External pilot air supply, 1/8 pipe size

<sup>(1)</sup> Including coil(s), connector (SC) and cable gland (WP).

All leaflets are available on: [www.asconumatics.eu](http://www.asconumatics.eu)