

FEATURES

- High flow due to angled seat design
- Anti-waterhammer design (fluid entry under the disc)
- External threads to ISO 228/1 for industrial applications
- Vacuum operation up to 10⁻² mbar
- Piston-type operators 32 mm dia. rotatable through 360°
- High performance, maintenance-free stuffing box
- The valves satisfy Pressure Equipment Directive 97/23/EC, article 3.3

GENERAL

Differential pressure	See «SPECIFICATIONS» [1 bar =100 kPa]
Maximum allowable pressure	16 bar
Ambient temperature range	-10°C to +60°C
Maximum viscosity	5000 cSt (mm ² /s)
Pilot fluid	Filtered air or water ⁽¹⁾
Max. pilot pressure	10 bar
Min. pilot pressure	See below
Pilot fluid temperature	-10°C to +60°C
Response time	See page V402-7

fluids (*)	temperature range	disc seal (*)
air and gas groups 1 & 2 water, oil, liquids groups 1 & 2 and steam	- 10°C to + 184°C	PTFE

MATERIALS IN CONTACT WITH FLUID

(*) Ensure that the compatibility of the fluids in contact with the materials is verified

Valve body	AISI 316L
Stuffing box housing	AISI 316L
Stem	Stainless steel
Disc	Stainless steel
Stuffing box packing	PTFE chevrons
Wiper seal	FPM
Disc seal	PTFE
Valve body seal	PTFE

OTHER MATERIALS

Operator	Glass fibre filled PA
Optical position indicator	Optional on NC valves

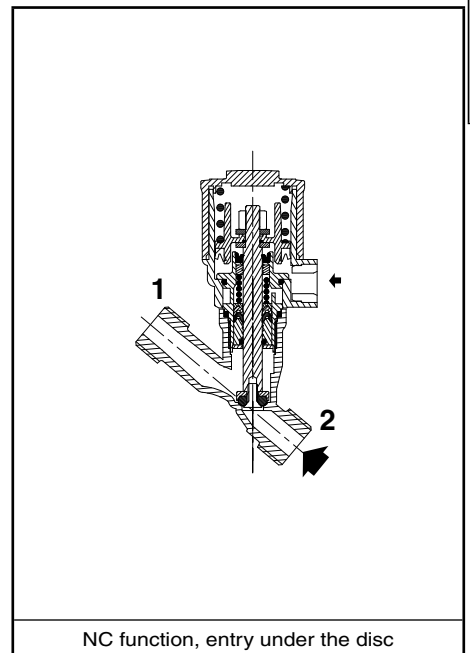
⁽¹⁾ For dia. 32 operators: At service fluid temperatures inside the valve body above 100°C, it is prohibited to pilot the valve with water.

SPECIFICATIONS

piping (ISO 6708)		flow coefficient Kv		pilot pressure (bar)		operating pressure differential (bar)			operator diameter (mm)	catalogue number	
pipe size (G)	DN	(m ³ /h)	(l/min)	min.	max.	min..	max.				
							air, inert gas, aggressive fluids (*)	water, oil, liquids, aggressive liquids (*)	steam (*) (≤184°C)		
NC - Normally closed, entry under the disc ⁽³⁾											
1/2	10	2,8	47	4	10	0	16	16	10	32	U290A791
3/4	15	4,1	68	4	10	0	12	12	10	32	U290A792
1	20	6,5	108	4	10	0	6	6	6	32	U290A793
NO - Normally open, entry under the disc											
1/2	10	2,8	47	IX (*)	10	0	16	16	10	32	U290A794
3/4	15	4,1	68	IX (*)	10	0	16	16	10	32	U290A795
1	20	6,5	108	IX (*)	10	0	16	16	10	32	U290A796
NC - Normally closed, entry above the disc (version recommended for rapid-cycling steam applications)											
1/2	10	2,8	47	X (*)	10	0	10	-	10	32	U290A797
3/4	15	4,1	68	X (*)	10	0	10	-	10	32	U290A798
1	20	6,5	108	X (*)	10	0	10	-	10	32	U290A799

(*) Minimum pilot pressure varies with differential pressure, see page V402-7.

⁽³⁾ Calculation of the minimum pilot pressure at max. ΔP with allowable backpressure, contact us (backpressure not recommended with liquids as waterhammer may occur).



D

00050GB-2011/R02 Availability, design and specifications are subject to change without notice. All rights reserved.

OPTIONS AND ACCESSORIES (see page V435/V436)

- Optical position indicator, NC function
- Oxygen service, pressure limited to 15 bar, temperature limited to + 60°C
- Vacuum applications up to 1,33 10⁻³ mbar
- NET-INOX passivation treatment
- ATEX 94/9/EC versions for potentially explosive atmospheres
- Other pipe connections are available on request

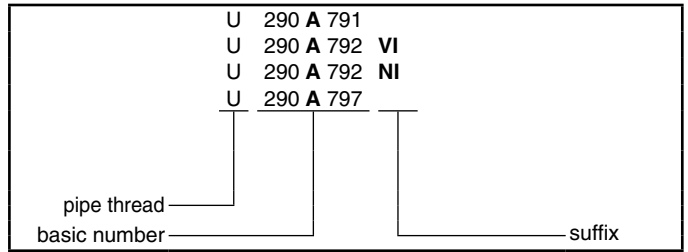
INSTALLATION

- The valves can be mounted in any position without affecting operation
- Compatible with ASTM 1, 2 and 3 oils
- Pipe connection identifier is G = G (ISO 228/1)
- Installation/maintenance instructions are included with each valve

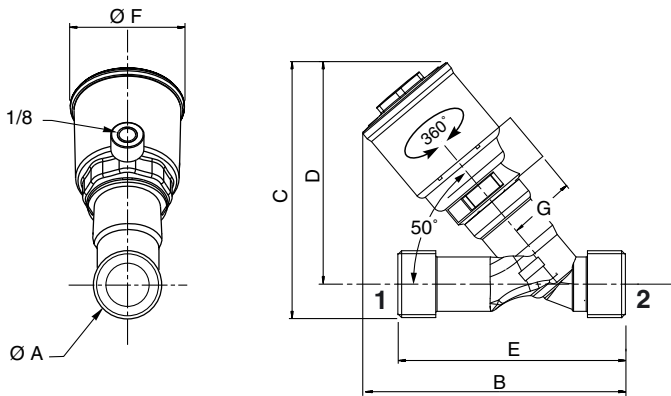
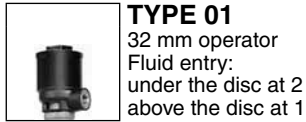
SPARE PARTS KITS

DN	spare parts kit no.
10	C140100
15	C140101
20	C140102

ORDERING EXAMPLES:



DIMENSIONS (mm), WEIGHT (kg)



type	operator diameter	ØA	B	C	D	E	ØF	G	weight ⁽¹⁾
01	32 mm	1/2	102,5	98,2	87,7	80	43,5	27	0,36
		3/4	104,9	102	88,8	90	43,5	27	0,43
		1	109,5	104,9	88,4	110	43,5	27	0,54

⁽¹⁾ Weight of valve without pilot.

Solenoid pilot valves: see V439 (32 mm operator).

